

 **BOEING**  
COMPONENT  
MAINTENANCE MANUAL

TO: ALL HOLDERS OF FUEL MANAGEMENT PANEL ASSEMBLY COMPONENT MAINTENANCE  
MANUAL 28-22-52

REVISION NO. 17 DATED JUL 01/03

HIGHLIGHTS

Pages which have been added or revised are outlined below together with the highlights of the revision. Remove and insert the affected pages as listed and enter Revision No. and date on the Record of Revision Sheet.

CHAPTER/SECTION

AND PAGE NO.

DESCRIPTION OF CHANGE

TITLE PAGE

Added assemblies P/N 233T3235-1300 thru -1307 per  
CSB 233T3235-28-05R1.

1

TR & SB RECORD

1

DESCRIPTION & OPERATION

1

101-111,113,115,  
118-119

REPAIR-GEN

601

1006-1043,1046-1047,  
1080K-1082S

TITLE PAGE

Added assemblies P/N 233T3100-87, -148, -189, -251,  
-277, -293.

1

DESCRIPTION & OPERATION

1

101-111,113,115,  
118-119

REPAIR-GEN

601

1006-1043,1046-1047,  
1080M-1080S,1080W-1082S

TR & SB RECORD

Incorporated TR 28-2.

1

**28-22-52**

HIGHLIGHTS

01.1

Page 1

Jul 01/03

## FUEL MANAGEMENT PANEL ASSEMBLY, M10055

PARTS NUMBERS 233T3235-5,-7,-10 THRU -13,-15,  
-17,-20,-21,-23,-300,  
-301,-1005,-1007,-1010,  
-1011,-1012,-1013,-1015,  
1300 THRU -1307  
233T3100-87,-148,-189,-251,-277,  
-293

COMPONENT MAINTENANCE MANUAL  
WITH  
ILLUSTRATED PARTS LIST

**28-22-52**

TITLE PAGE

Page 1

Jul 01/03

01.1



REVISION RECORD

- Retain this record in front of manual. On receipt of revision, insert revised pages in the manual, and enter revision number, date inserted and initial.

REVISION NUMBER	REVISION DATE	DATE FILED	BY	REVISION NUMBER	REVISION DATE	DATE FILED	BY


**BOEING**  
 COMPONENT  
 MAINTENANCE MANUAL

## TEMPORARY REVISION AND SERVICE BULLETIN RECORD

BOEING SERVICE BULLETIN	BOEING TEMPORARY REVISION	OTHER DIRECTIVE	DATE OF INCORPORATION INTO MANUAL
233T3235-28-1 233T3235-28-02 233T3235-28-03		PRR C12010 PRR C12011 PRR C12008 PRR N52268-1 PRR B10935 MCB 1242-001K PRR B11110-1 PRR C12526 PRR B11632 PRR B12221 PRR B12221-1	OCT 10/82 OCT 10/82 OCT 10/82 OCT 10/82 JUL 10/83 JUL 10/85 JUL 10/85 OCT 10/85 OCT 01/87 JAN 01/92 JAN 01/93
233T3235-28-05	28-1	PRR B12901-10S	NOV 01/01
233T3235-28-05R1	28-2		NOV 01/01 JUL 01/03 JUL 01/03

**28-22-52**

TR &amp; SB RECORD

01.1

Page 1

Jul 01/03



**BOEING**  
COMPONENT  
MAINTENANCE MANUAL

PAGE	DATE	CODE	PAGE	DATE	CODE
28-22-52			TESTING & TROUBLE SHOOTING CONT.		
TITLE PAGE			112	BLANK	
*1	JUL 01/03	01.1	*113	JUL 01/03	01.1
2	BLANK		114	BLANK	
REVISION RECORD			*115	JUL 01/03	01.1
1	JUL 10/83	01	116	BLANK	
2	BLANK		117	BLANK	
TR & SB RECORD			*118	JUL 01/03	01.1
*1	JUL 01/03	01.1	*119	JUL 01/03	01.1
2	BLANK		120	BLANK	
LIST OF EFFECTIVE PAGES			121	BLANK	
*1	JUL 01/03	01	122	NOV 01/01	01.101
THRU LAST PAGE			123	MAR 01/02	01.101
CONTENTS			124	BLANK	
1	JUL 10/83	01	125	BLANK	
2	BLANK		126	NOV 01/01	01.101
INTRODUCTION			127	MAR 01/02	01.101
1	APR 10/84	01.1	128	BLANK	
2	BLANK		REPAIR-GENERAL		
DESCRIPTION & OPERATION			*601	JUL 01/03	01.1
*1	JUL 01/03	01.1	602	BLANK	
2	BLANK		ILLUSTRATED PARTS LIST		
TESTING & TROUBLE SHOOTING			1001	JUL 10/83	01
*101	JUL 01/03	01.1	1002	JAN 01/93	01.1
*102	JUL 01/03	01.1	1003	NOV 01/00	01.1
*103	JUL 01/03	01.1	1004	NOV 01/00	01.1
*104	JUL 01/03	01.1	1005	MAR 01/98	01.1
*105	JUL 01/03	01.1	*1006	JUL 01/03	01.1
*106	JUL 01/03	01.1	*1007	JUL 01/03	01.1
*107	JUL 01/03	01.1	*1008	JUL 01/03	01.1
*108	JUL 01/03	01.1	*1009	JUL 01/03	01.1
*109	JUL 01/03	01.1	*1010	JUL 01/03	01.1
*110	JUL 01/03	01.1	*1011	JUL 01/03	01.1
*111	JUL 01/03	01.1	*1012	JUL 01/03	01.1
			*1013	JUL 01/03	01.1
			*1014	JUL 01/03	01.1
			*1015	JUL 01/03	01.1
			*1016	JUL 01/03	01.1
			*1017	JUL 01/03	01.1
			*1018	JUL 01/03	01.1
			*1019	JUL 01/03	01.1

\* = REVISED, ADDED OR DELETED

**28-22-52**

EFFECTIVE PAGES  
CONTINUED Page 1  
01 Jul 01/03

PAGE	DATE	CODE	PAGE	DATE	CODE
ILLUSTRATED PARTS LIST		CONT.	ILLUSTRATED PARTS LIST		CONT.
*1020	JUL 01/03	01.1	*1062	JUL 01/03	01.101
*1021	JUL 01/03	01.1	*1063	JUL 01/03	01.101
*1022	JUL 01/03	01.1	*1064	JUL 01/03	01.101
*1023	JUL 01/03	01.1	*1065	JUL 01/03	01.101
*1024	JUL 01/03	01.1	*1066	JUL 01/03	01.101
*1025	JUL 01/03	01.1	*1067	JUL 01/03	01.101
*1026	JUL 01/03	01.1	*1068	JUL 01/03	01.101
*1027	JUL 01/03	01.1	*1069	JUL 01/03	01.101
*1028	JUL 01/03	01.1	*1070	JUL 01/03	01.101
*1029	JUL 01/03	01.1	*1071	JUL 01/03	01.101
*1030	JUL 01/03	01.1	*1072	JUL 01/03	01.101
*1031	JUL 01/03	01.1	*1073	JUL 01/03	01.101
*1032	JUL 01/03	01.1	*1074	BLANK	
*1033	JUL 01/03	01.1	*1075	JUL 01/03	01.101
*1034	JUL 01/03	01.1	*1076	JUL 01/03	01.101
*1035	JUL 01/03	01.1	*1077	JUL 01/03	01.101
*1036	JUL 01/03	01.1	*1078	JUL 01/03	01.101
*1037	JUL 01/03	01.1	*1079	JUL 01/03	01.101
*1038	JUL 01/03	01.1	*1080	JUL 01/03	01.101
*1039	JUL 01/03	01.1	*1080A	JUL 01/03	01.101
*1040	JUL 01/03	01.1	*1080B	JUL 01/03	01.101
*1041	JUL 01/03	01.1	*1080C	JUL 01/03	01.101
*1042	JUL 01/03	01.1	*1080D	JUL 01/03	01.101
*1043	JUL 01/03	01.1	*1080E	JUL 01/03	01.101
*1044	JUL 01/03	01.101	*1080F	JUL 01/03	01.101
*1045	JUL 01/03	01.101	*1080G	JUL 01/03	01.101
*1046	JUL 01/03	01.1	*1080H	JUL 01/03	01.101
*1047	JUL 01/03	01.1	*1080I	JUL 01/03	01.101
*1048	JUL 01/03	01.101	*1080J	BLANK	
*1049	JUL 01/03	01.101	*1080K	JUL 01/03	01.1
*1050	JUL 01/03	01.101	*1080L	JUL 01/03	01.1
*1051	JUL 01/03	01.101	*1080M	JUL 01/03	01.1
*1052	JUL 01/03	01.101	*1080N	JUL 01/03	01.1
*1053	JUL 01/03	01.101	*1080O	JUL 01/03	01.1
1054	BLANK		*1080P	JUL 01/03	01.1
*1055	JUL 01/03	01.101	*1080Q	JUL 01/03	01.1
*1056	JUL 01/03	01.101	*1080R	JUL 01/03	01.1
*1057	JUL 01/03	01.101	*1080S	JUL 01/03	01.1
*1058	JUL 01/03	01.101	*1080T	JUL 01/03	01.1
*1059	JUL 01/03	01.101	*1080U	JUL 01/03	01.1
*1060	JUL 01/03	01.101	*1080V	JUL 01/03	01.1
*1061	JUL 01/03	01.101	*1080W	JUL 01/03	01.1

\* = REVISED, ADDED OR DELETED

28-22-52

EFFECTIVE PAGES  
CONTINUED Page 2  
01 Jul 01/03


**BOEING**  
 COMPONENT  
 MAINTENANCE MANUAL

PAGE	DATE	CODE	PAGE	DATE	CODE
ILLUSTRATED PARTS LIST		CONT.			
*1080X	JUL 01/03	01.1			
*1080Y	JUL 01/03	01.1			
*1080Z	JUL 01/03	01.1			
*1081	JUL 01/03	01.1			
*1082	JUL 01/03	01.1			
*1082A	JUL 01/03	01.1			
*1082B	JUL 01/03	01.1			
*1082C	JUL 01/03	01.1			
*1082D	JUL 01/03	01.1			
*1082E	JUL 01/03	01.1			
*1082F	JUL 01/03	01.1			
*1082G	JUL 01/03	01.1			
*1082H	JUL 01/03	01.1			
*1082I	JUL 01/03	01.1			
*1082J	JUL 01/03	01.1			
*1082K	JUL 01/03	01.1			
*1082L	JUL 01/03	01.1			
*1082M	JUL 01/03	01.1			
*1082N	JUL 01/03	01.1			
*1082O	JUL 01/03	01.1			
*1082P	JUL 01/03	01.1			
*1082Q	JUL 01/03	01.1			
*1082R	JUL 01/03	01.1			
*1082S	JUL 01/03	01.1			
*1082T	BLANK				

\* = REVISED, ADDED OR DELETED

# 28-22-52

EFFECTIVE PAGES  
 LAST PAGE Page 3  
 01 Jul 01/03



TABLE OF CONTENTS

<u>Paragraph Title</u>	<u>Page</u>
Description and Operation . . . . .	1
Testing and Trouble Shooting . . . . .	101
Disassembly . . . . .	*[1]
Cleaning. . . . .	*[1]
Check . . . . .	*[1]
Repair. . . . .	601
Assembly. . . . .	*[2]
Fits and Clearances (not applicable)	
Special Tools, Fixtures, and Equipment. . . . .	*[1]
Illustrated Parts List. . . . .	1001

\*[1] Use applicable procedures in 20-11-05 and standard industry practices.

\*[2] Special instructions not required.

**28-22-52**

CONTENTS

01

Page 1

Jul 10/83





### INTRODUCTION

The instructions in this manual provide the information necessary to perform maintenance functions including test, fault isolation, and replacement of defective components.

This manual is divided into separate sections:

- |   |                                |
|---|--------------------------------|
| 1. Title Page                                       | 4. List of Effective Pages     |
| 2. Record of Revisions                              | 5. Table of Contents           |
| 3. Temporary Revisions &<br>Service Bulletin Record | 6. Introduction                |
|   | 7. Procedures and IPL Sections |

Refer to the Table of Contents for the page location of applicable sections. An asterisked flagnote \*[ ] in place of the page number indicates that no special instructions are provided since the function can be performed using standard industry practices.

An explanation of the use of the Illustrated Parts List is provided in the Introduction of that section.

All weights and measurements used in the manual are in English units unless otherwise stated. When metric equivalents are given they will be in parentheses following the English units.

Design changes, optional parts, configuration differences and Service Bulletin modifications create alternate part numbers. These are identified in the Illustrated Parts List (IPL) by adding an alphabetical character to the basic item number. The resulting item number is called an alpha-variant. Throughout the manual, IPL basic item number references also apply to alpha-variants unless otherwise indicated.

Verification:

| Testing/TS      Nov 15/82

**28-22-52**

INTRODUCTION

01.1

Page 1

Apr 10/84



FUEL MANAGEMENT PANEL ASSEMBLY M10055

DESCRIPTION AND OPERATION

1. Description

- A. The fuel management panel assembly consists of a baseplate assembly and a support bracket. Push-button switches and an indicator light are mounted on the baseplate assembly. Connectors, diodes, and relays are mounted on the support bracket, which is attached to the baseplate assembly by standoffs. A wire bundle assembly interconnects the components mounted on the baseplate assembly and on the support bracket.
- B. Assemblies 233T3235-7, -10, -11, -12, -13, -15, -17, -20, -21, -23, -300 and -301, -1007, -1010 thru -1013, -1015, -1301 thru -1307. Also 233T3100-148, -189, -251, -277, -293 have timers, resistors, and additional diodes not found on assembly 233T3235-5, -1005, -1300 and 233T3100-87. A different support bracket is used to support these components. The timers provide a 10-second time delay. In addition, the -300 and -301 assemblies only come with a lightplate.

28-22-52

DESCRIPTION & OPERATION

01.1

Page 1

Jul 01/03

TESTING AND TROUBLE SHOOTING1. Test Equipment

- A. Multimeter: Any model in the Simpson 260 series of multimeters/VOMs or equivalent
- B. Power supply: 0-30 vdc, 0.5 amp and 0-5 vac 400Hz
- C. Test connectors: BACC45FT18-31S7, BACC45FT18-31S8, and BACC45FT16-24S7. Boeing breakout box A33003-2 with cables A33003-37, -38, and -28 may be used.
- D. Timer: 10 seconds (233T3235-7, -10, -11, -12, -13, -15, -17, -20, -21, -23, -300, -301, -1007, -1010 thru -1013, -1015, -1301 thru -1307, also 233T3100-148, -189, -251, -277, -293)

2. Functional Test

- A. Connect test connector BACC45FT18-31S7 to J1, BACC45FT18-31S8 to J2, and BACC45FT16-24S7 to J3.
- B. Perform the test steps listed in Fig. 102. Component locations are shown in Fig. 101.

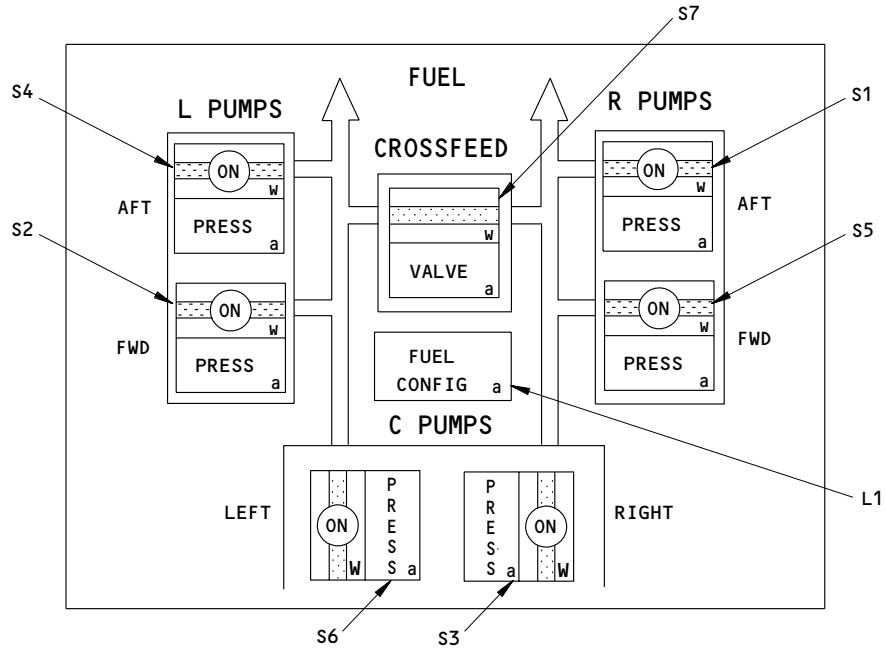
**28-22-52**

TESTING &amp; TROUBLE SHOOTING

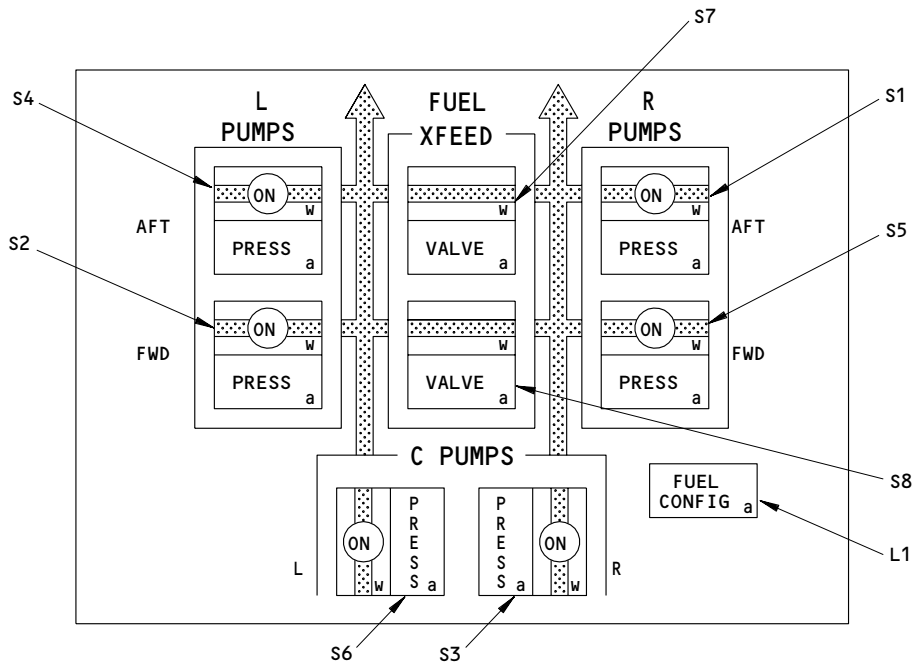
01.1

Page 101

Jul 01/03



233T3235-5,-7,-10, THRU -13,-15,-1005,-1007,-1010,-1011,-1012,-1013,-1015,  
 -1300 THRU -1307  
 233T3100-87,-148,-189,-251,-277,-293



233T3235-17,-20,-21,-23,-300,-301  
 Component Location  
 Figure 101

**28-22-52**

TEST PROCEDURE	REQUIRED RESULTS		COMP TEST
Test for continuity (less than 3 ohms) or open (greater than 15,000 ohms) between the specified pins.	<u>Continuity</u>	<u>Open</u>	
S2 off	J3-6 to J3-17	J3-13 to J3-14	S2
S2 on	J3-13 to J3-14	J3-6 to J3-17	S2,K4
S3 and S6 off	J1-19 to J1-21	J1-13 to J1-14 J2-18 to J2-15	S3,S6
S3 on, S6 off	J1-13 to J1-14 J2-18 to J2-15	J1-19 to J1-21	S3
S3 off, S6 on		J1-19 to J1-21	S6
S4 off, S5 on		J2-11 to J2-12	S4
S4 and S5 on	J2-11 to J2-12 J2-10 to J2-12		S4,S5
S4 on, S5 off		J2-11 to J2-12	S5
S6 off		J2-13 to J2-14 J1-18 to J1-15	S6
S6 on	J2-13 to J2-14 J1-18 to J1-15		S6
S7 off	J3-7 to J3-9	J3-7 to J3-8	S7
S7 on	J3-7 to J3-8	J3-7 to J3-9	S7
<u>233T3235-17,-20,-21,-23,-300,-301</u>			
S8 off	J2-20 to J2-19	J2-19 to J2-21	
S8 on	J2-19 to J2-21	J2-20 to J2-19	

Functional Test  
 Figure 102 (Sheet 1)

# 28-22-52

TEST PROCEDURE	REQUIRED RESULTS	COMP TEST
<u>NOT APPLICABLE TO 233T3235-17,-20,-21,-23,-300,-301</u>		
Apply +28 vdc to J3-11 and ground J3-24.		
S7 off	J3-16 to J2-24	J3-16 to J1-24 S7,K2
S7 on	J3-16 to J1-24	J3-16 to J2-24 S7,K2,K3,K4
Apply +28 vdc to J1-8 and ground J1-10	<u>Continuity</u>	<u>Open</u>
S7 on	J3-16 to J1-24	K3
Disconnect J1-8 and J1-10.		
<u>All Assemblies</u>		
Apply +28v dc to J2-8 and ground J2-10.		
S7 on	J3-16 to J1-24	K2
<u>NOT APPLICABLE TO 233T3235-17,-20,-21,-23,-300,-301</u>		
Disconnect J3-11 and J3-24.		
<u>All Assemblies</u>		
S7 off	J3-16 to J2-24	K2
Disconnect J2-8 and J2-10. Apply +28 vdc to J1-24 and ground J1-12.		
S1 off, S2 on	J3-14 to J3-13	J3-14 to J1-10 S1,K4
S1 and S2 on	J3-14 to J1-10	J3-14 to J3-13 S1,K4
Remove all connections.		
Turn off all switches.		

Functional Test  
 Figure 102 (Sheet 2)

28-22-52


**BOEING**  
 COMPONENT  
 MAINTENANCE MANUAL

TEST PROCEDURE	REQUIRED RESULTS	COMP TEST
Measure resistance as specified below.		
<u>NOT APPLICABLE TO 233T3235-300,-301</u>		
J1-2 to baseplate.	Less than 3 ohms	J4
J1-1 to center of lightplate connector.	Less than 3 ohms	J4
J1-1 to J1-2	Greater than 15,000 ohms	J4, all switches
<u>All Assemblies</u>		
J2-8 (positive) to J2-16 (negative).	Less than 1,500 ohms	CR3
J2-16 (positive) to J2-8 (negative).	Greater than 15,000 ohms	CR3
J3-15 (positive) to J2-16 (negative).	Less than 1,500 ohms	CR1
J2-16 (positive) to J3-15 (negative).	Greater than 15,000 ohms	CR1
	Indicators (both bulbs) light only when specified	

Functional Test  
 Figure 102 (Sheet 3)

**28-22-52**

TESTING & TROUBLE SHOOTING  
 01.1 Page 105  
 Jul 01/03

TEST PROCEDURE	REQUIRED RESULTS	COMP TEST
Apply +28 vdc to J2-3 and ground J2-4.	S1 PRESS, S2 PRESS, S6 PRESS, L1 on	S1,S2,S6,L1
Disconnect J2-4 and ground J2-6.	S1 PRESS on	S1
<del>233T3235-7,-10,-11,-12,-13,-15,-17,-20,-21,-23,-300,-301,-1007,-1010 thru -1013,-1015,-1301 thru -1307, also 233T3100-148,-189,-251,-277,-293</del>		
Turn S1 on.	S1 PRESS off, then on after 10 seconds	K7
Apply +28 vdc to J1-10. Turn S1 off, wait 10 seconds minimum, turn S1 on.	S1 PRESS remains on	CR2,R1
<u>All Assemblies</u>		
Disconnect J1-10 and J2-6.		S2
Ground J2-5.	S2 PRESS on	
<del>233T3235-7,-10,-11,-12,-13,-15,-17,-20,-21,-23,-300,-301,-1007,-1010 thru -1013,-1015,-1301 thru -1307, also 233T3100-148,-189,-251,-277,-293</del>		
Turn S2 on.	S2 PRESS off, then on after 10 seconds	K6
Apply +28 vdc to J3-13. Turn S2 off, wait 10 seconds minimum, turn S2 on.	S2 PRESS remains on	CR6,R4

Functional Test  
 Figure 102 (Sheet 4)

# 28-22-52



TEST PROCEDURE	REQUIRED RESULTS	COMP TEST
<u>All Assemblies</u>		
Disconnect J3-13 and J2-5.		
Ground J1-18.	S6 PRESS on	S6
Disconnect J1-18 and ground J1-22.	L1 on	L1
Disconnect J2-3 and J1-22. Ground J2-3. Apply +28 vdc momentarily to:		
J2-4	All indicators remain off	S1,S2,S6,L1
J2-6	All indicators remain off	S1
J2-5	All indicators remain off	S2
J1-18	All indicators remain off	S6
J1-22	All indicators remain off	L1
Remove all connections.		
Apply +28 vdc to J3-3 and ground J3-4.	S7 VALVE on S8 VALVE on *[1]	S7 S8*[1]
<u>NOT APPLICABLE TO 233T3235-17,-20,-21,-23,-300,-301</u>		
Disconnect J3-4 and ground J3-5.	S7 VALVE on	S7
Disconnect J3-3 and J3-5. Ground J3-3. Apply +28 vdc momentarily to:		
J3-4	All indicators remain off	S7
J3-5	All indicators remain off	S7
*[1] For 233T3235-17,-20,-21,-23,-300,-301 only		

Functional Test  
Figure 102 (Sheet 5)

28-22-52

TEST PROCEDURE	REQUIRED RESULTS	COMP TEST
<u>233T3235-17,-20,-21,-23,-300,-301</u>		
Disconnect J3-4 and ground J3-2	S7 VALVE on	S7
Disconnect J3-3 and J3-2. Ground J3-3.		
Apply +28v dc momentarily to:		
J3-4	All indicators remain off	S7
J3-2	All indicators remain off	S7
<u>All Assemblies</u>		
Remove all connections.		
Apply +28 vdc to J1-3 and ground J1-4.	S3 PRESS, S4 PRESS, S5 PRESS on	S3,S4,S5
Disconnect J1-4 and ground J2-18.	S3 PRESS on	S3
Disconnect J2-18 and ground J1-6.	S4 PRESS on	S4
<u>233T3235-7,-10,-11,-12,-13,-15,-17,-20,-21,-23,-300,-301,-1007,-1010 thru -1013,-1015,-1301 thru -1307, also 233T3100-148,-189,-251,-277,-293</u>		
Turn S4 on.	S4 PRESS off, then on after 10 seconds	K8

 Functional Test  
 Figure 102 (Sheet 6)

**28-22-52**



**BOEING**  
COMPONENT  
MAINTENANCE MANUAL

TEST PROCEDURE	REQUIRED RESULTS	COMP TEST
<u>233T3235-7,-10,-11,-12,-13,-15,-17,-20,-21,-23,-300,-301,-1007,-1010 thru -1013,-1015,-1301 thru -1307, also 233T3100-148,-189,-251,-277,-293</u>		
Apply +28 vdc to J2-10. Turn S4 off, wait 10 seconds minimum, turn S4 on.	S4 PRESS remains on	CR5,R3
Disconnect J2-10		
<u>All Assemblies</u>		S5
Disconnect J1-6.		
Ground J1-5.	S5 PRESS on	S5
<u>233T3235-7,-10,-11,-12,-13,-15,-17,-20,-21,-23,-300,-301,-1007,-1010 thru -1013,-1015,-1301 thru -1307, also 233T3100-148,-189,-251,-277,-293</u>		
Turn S5 on.	S5 PRESS off, then on after 10 seconds	K5
Apply +28 vdc to J2-10. Turn S5 off, wait 10 seconds minimum, turn S5 on.	S5 PRESS remains on	CR4,R2
<u>All Assemblies</u>		
Disconnect J2-10, J1-3, and J1-5.		
Ground J1-3. Apply +28 vdc momentarily to:		
J1-4	All indicators remain off	S3,S4,S5
J2-18	All indicators remain off	S3
J1-6	All indicators remain off	S4
J1-5	All indicators remain off	S5
Remove all connections.		

Functional Test  
Figure 102 (Sheet 7)

28-22-52

TEST PROCEDURE	REQUIRED RESULTS	COMP TEST
Apply +5 vdc to J1-1 and ground J1-2.  Remove all connections.	S1 ON, S2 ON, S3 ON, S4 ON, S5 ON, S6 ON, S7, and S8 *[1] white on when pressed.	S1,S2,S3, S4,S5,S6, S7,S8 *[1]
<del>233T3235-7,-10,-11,-12,-13,-15,-17,-20,-21,-23,-300,-301,-1007,-1010 thru -1013,-1015,-1301 thru -1307, also 233T3100-148,-189,-251,-277,-293</del>		
Measure resistance as specified below.		
J1-10 (positive) to T5 (negative).	Less than 1,500 ohms	CR2
T5 (positive) to J1-10 (negative).	Greater than 15,000 ohms	CR2
T5 to K7-A.	2,200 ohms $\pm$ 5%	R1
J2-10 (positive) to T8 (negative).	Less than 1,500 ohms	CR4
T8 (positive) to J2-10 (negative).	Greater than 15,000 ohms	CR4
T8 to K5-A.	2,200 ohms $\pm$ 5%	R2
J2-10 (positive) to T11 (negative).	Less than 1,500 ohms	CR5
T11 (positive) to J2-10 (negative).	Greater than 15,000 ohms	CR5
T11 to K8-A.	2,200 ohms $\pm$ 5%	R3
J3-13 (positive) to T14 (negative).	Less than 1,500 ohms	CR6

\*[1] S8 on 233T3235-17, -20, -21, -23, -300, -301 only

Functional Test  
 Figure 102 (Sheet 8)

# 28-22-52

TESTING & TROUBLE SHOOTING  
 01.1 Page 110  
 Jul 01/03


**BOEING**  
 COMPONENT  
 MAINTENANCE MANUAL

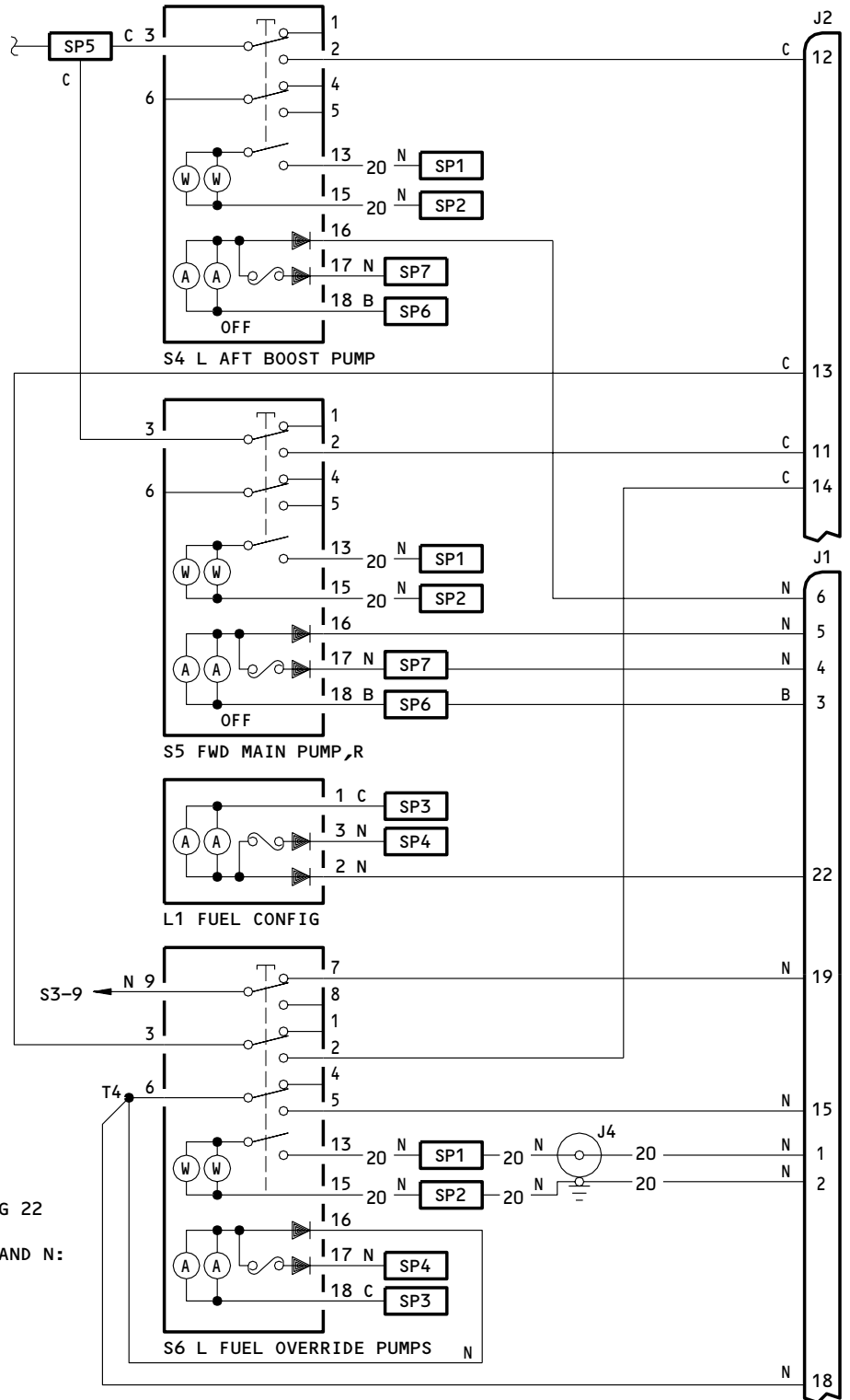
TEST PROCEDURE	REQUIRED RESULTS	COMP TEST
T14 (positive) to J3-13 (negative).	Greater than 15,000 ohms	CR6
T14 to K6-A.	2,200 ohms $\pm$ 5%	R4
Remove all connections.		
<u>Lightplate Lighting Check applicable to 233T3235-300,-301,-1300 thru -1307; 233T3100-87,-148,-189,-251,-277,-293</u>		
Apply 5v ac power between J1-1 and J1-2 pins.	Lightplate legends are illuminated	Lightplate
Remove 5v ac power.	Lightplate legends are not illuminated	Lightplate
END OF TEST		

Functional Test  
 Figure 102 (Sheet 9)

# 28-22-52

TESTING & TROUBLE SHOOTING  
 01.1 Page 111  
 Jul 01/03

**BOEING**  
**COMPONENT**  
**MAINTENANCE MANUAL**



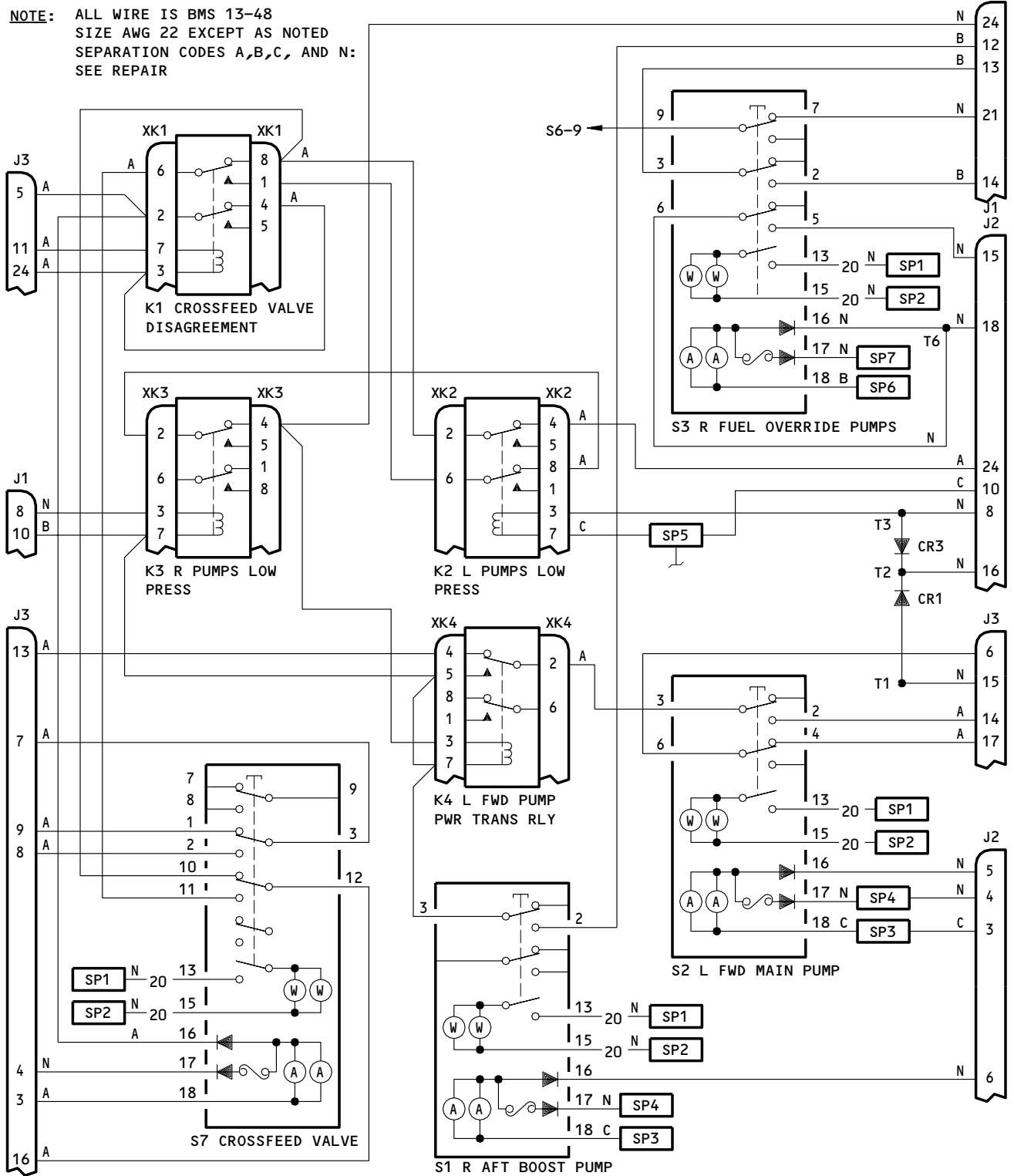
**NOTE:** ALL WIRE IS BMS 13-48, TYPE I, CLASS 1, SIZE AWG 22 EXCEPT AS NOTED SEPARATION CODES A,B,C, AND N: SEE REPAIR

233T3235-5,-1005,-1300  
 233T3100-87  
 Schematic Diagram  
 Figure 103 (Sheet 1)

**28-22-52**

# BOEING COMPONENT MAINTENANCE MANUAL

**NOTE:** ALL WIRE IS BMS 13-48  
SIZE AWG 22 EXCEPT AS NOTED  
SEPARATION CODES A,B,C, AND N:  
SEE REPAIR

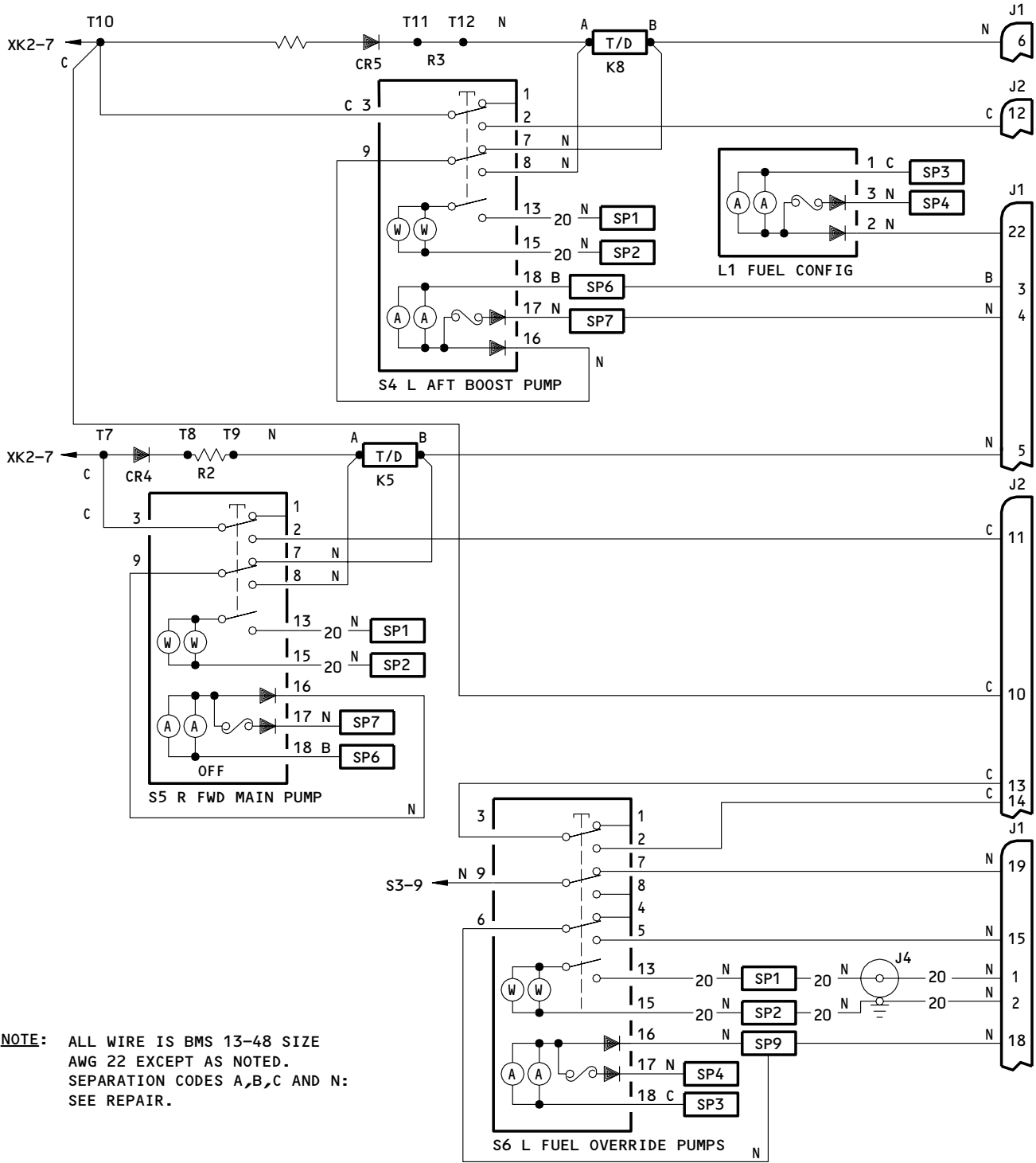


233T3235-5,-1005,-1300  
233T3100-87  
Schematic Diagram  
Figure 103 (Sheet 2)

## 28-22-52

TESTING & TROUBLE SHOOTING  
01.1 Page 115  
Jul 01/03

COMPONENT  
MAINTENANCE MANUAL



**NOTE:** ALL WIRE IS BMS 13-48 SIZE  
AWG 22 EXCEPT AS NOTED.  
SEPARATION CODES A,B,C AND N:  
SEE REPAIR.

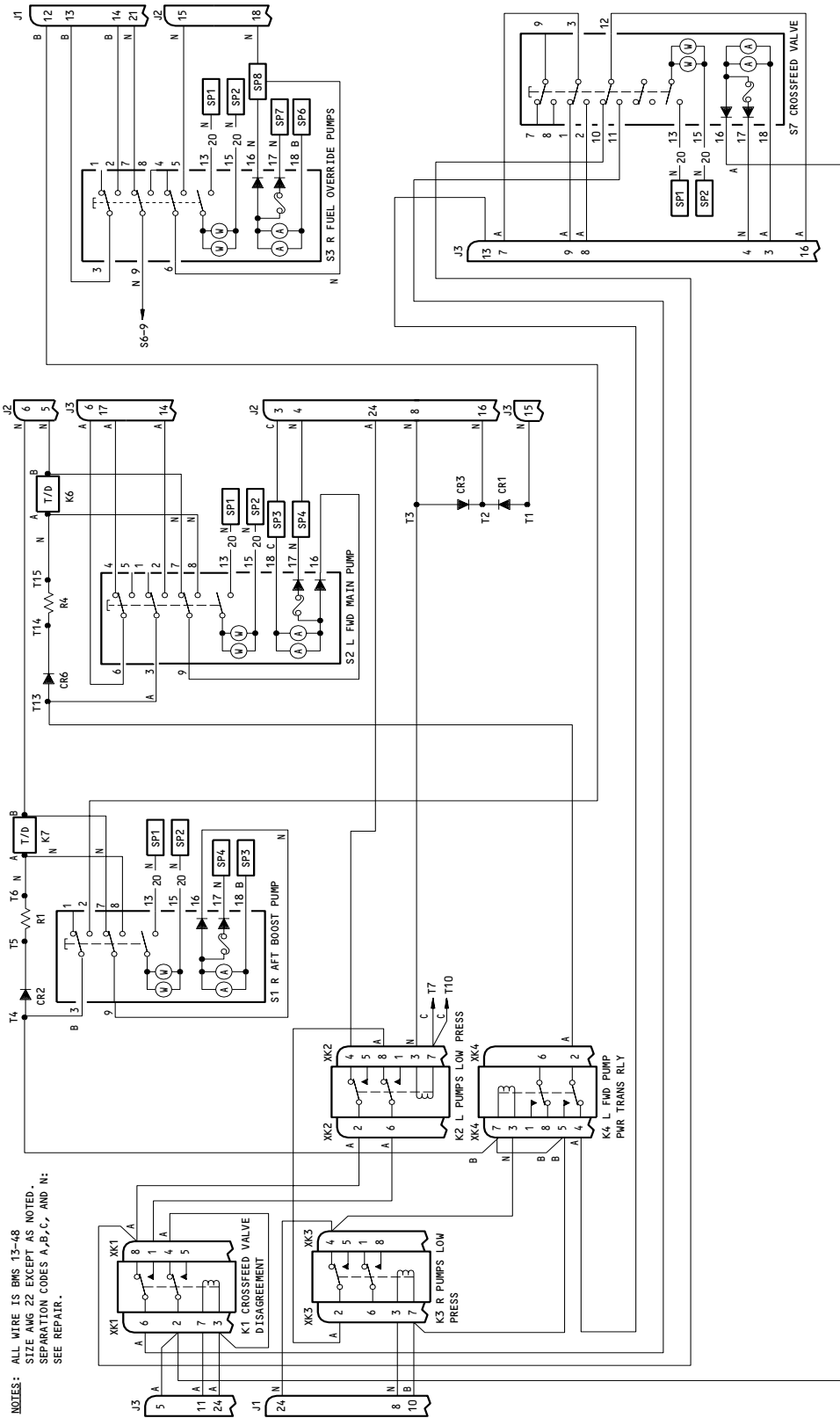
233T3235-7,-10 THRU -13,-15,-1007,-1010,-1011,-1012,-1013,-1015,-1301 thru -1307  
233T3100-148,-189,-251,-277,-293

Schematic Diagram  
Figure 104 (Sheet 1)

28-22-52

89967



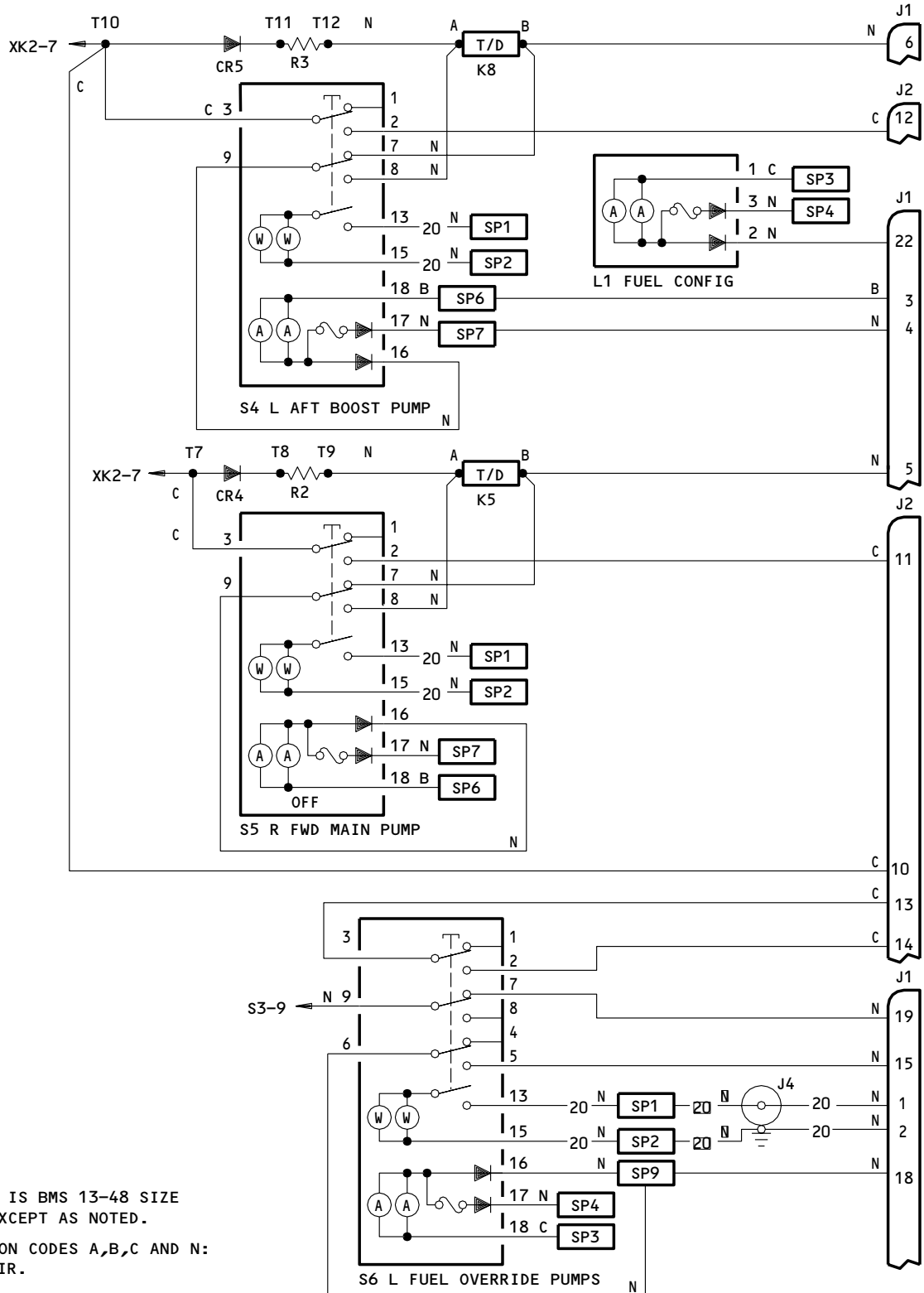


NOTES: ALL WIRE IS BMS 13-68  
 SIZE ANG 22 EXCEPT AS NOTED.  
 SEPARATION CODES A,B,C, AND N:  
 SEE REPAIR.

233T3235-7,-10 THRU -13,-15,-1007,-1010,-1011,-1012,-1013,-1015,-1301 thru -1307  
 233T3100-148,-189,-251,-277,-293  
 Schematic Diagram  
 Figure 104 (Sheet 2)

90606

**28-22-52**



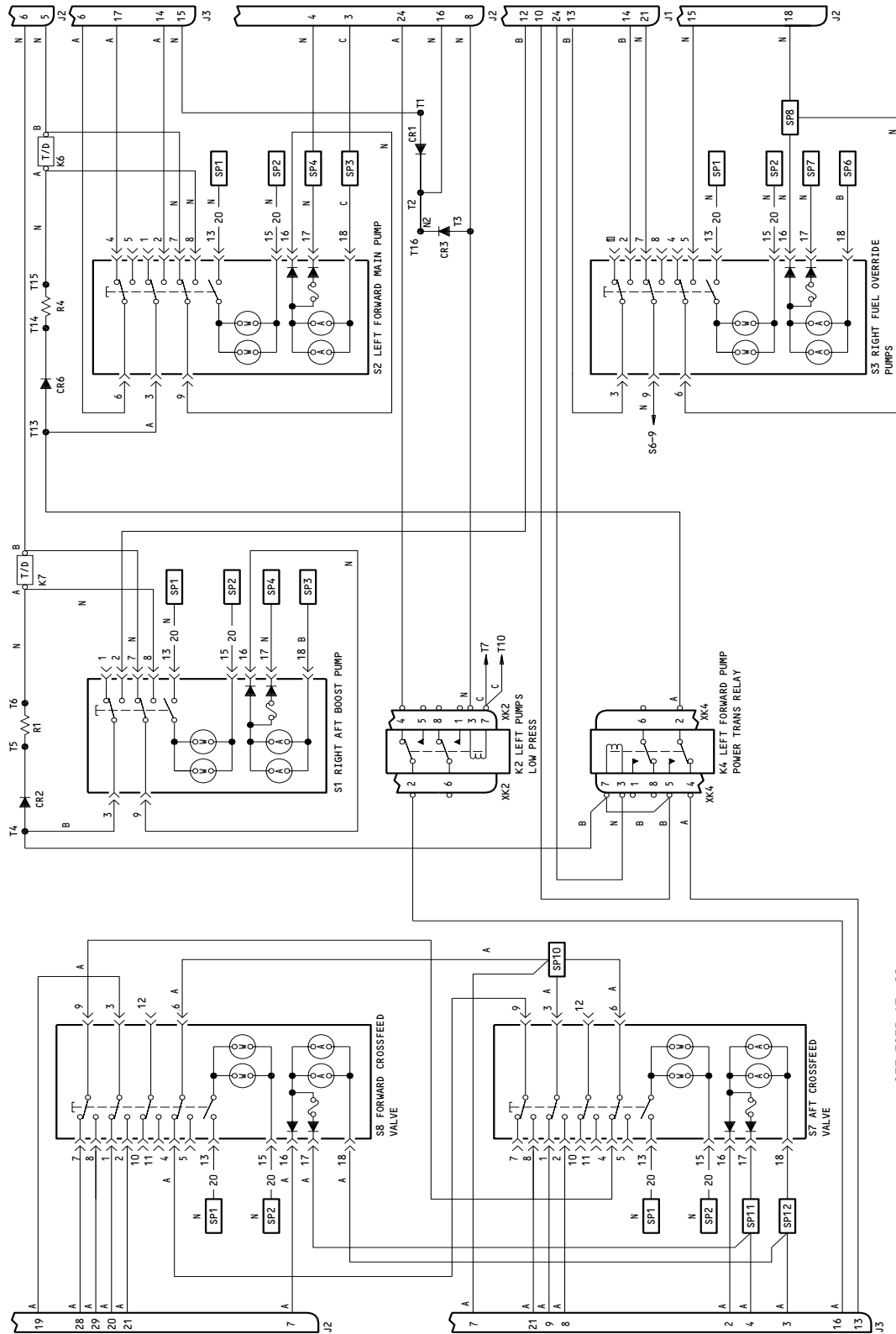
**NOTE:** ALL WIRE IS BMS 13-48 SIZE  
 AWG 22 EXCEPT AS NOTED.  
 SEPARATION CODES A,B,C AND N:  
 SEE REPAIR.

233T3235-17,-20  
 Schematic Diagram  
 Figure 105 (Sheet 1)

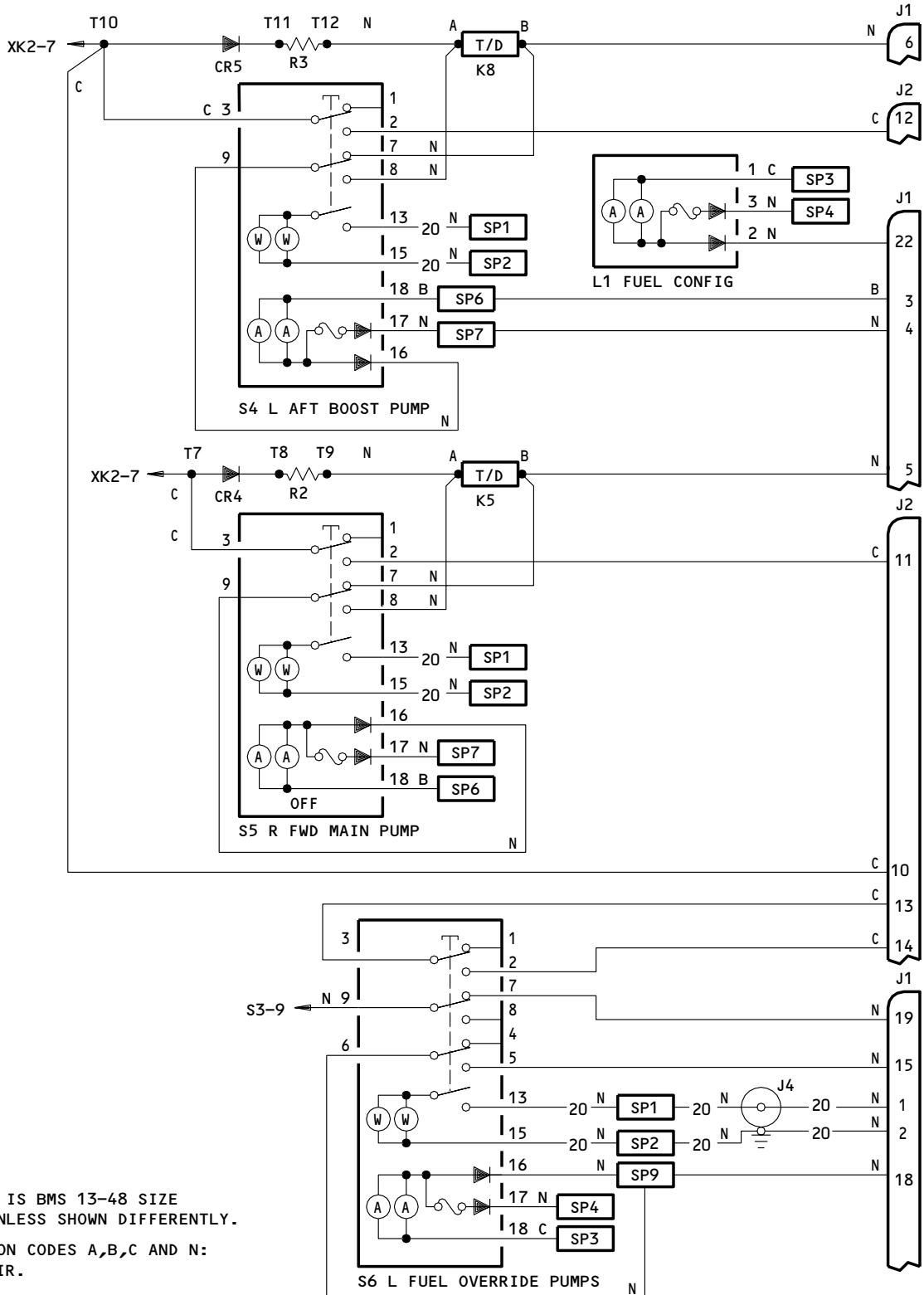
**28-22-52**

# BOEING

COMPONENT  
MAINTENANCE MANUAL



233T3235-17-20  
Schematic Diagram  
Figure 105 (Sheet 2)

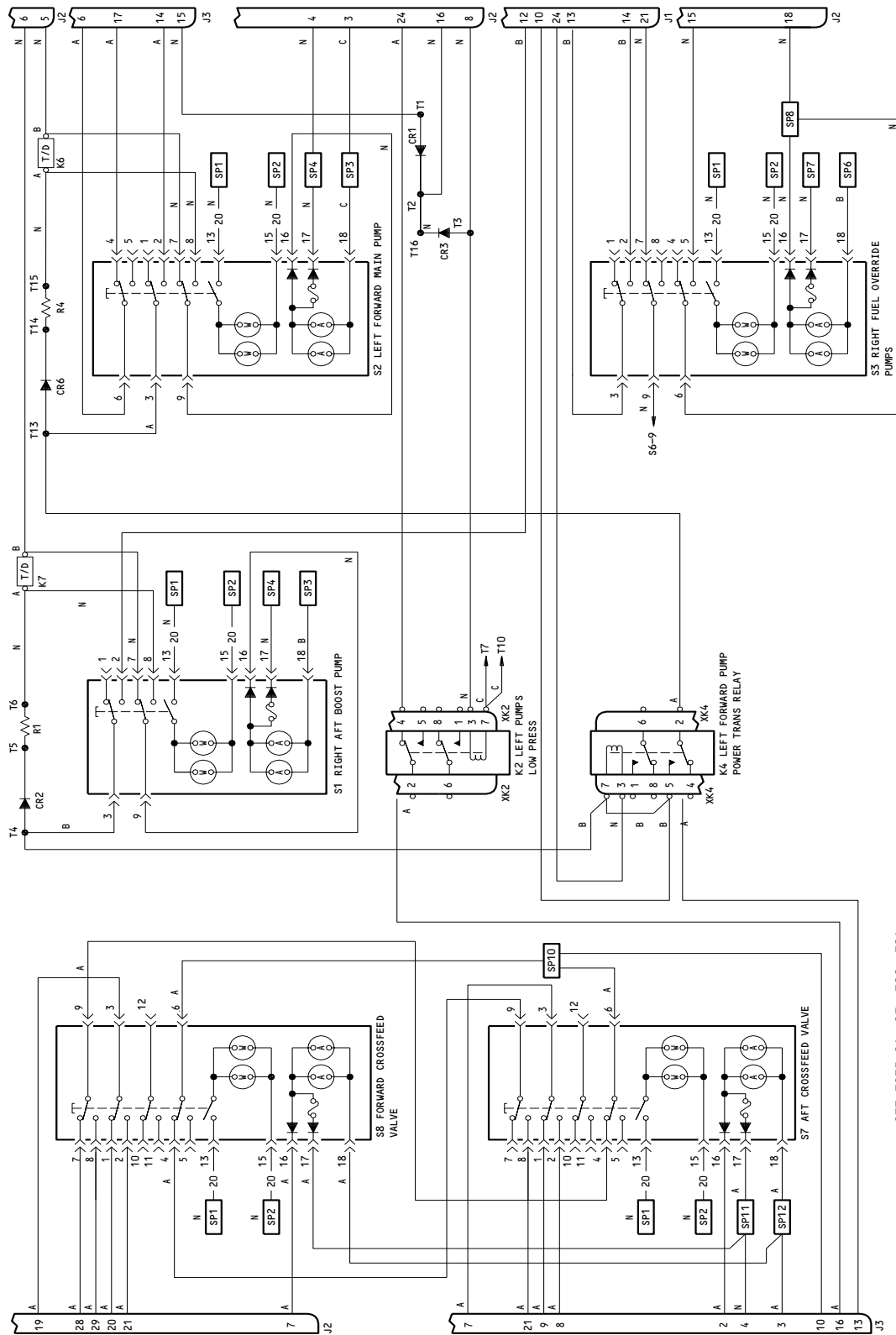


**NOTE:** ALL WIRE IS BMS 13-48 SIZE  
 AWG 22 UNLESS SHOWN DIFFERENTLY.  
 SEPARATION CODES A,B,C AND N:  
 SEE REPAIR.

233T3235-21,-23,-300,-301  
 Schematic Diagram  
 Figure 106 (Sheet 1)

**28-22-52**

# BOEING COMPONENT MAINTENANCE MANUAL



233T3235-21,-23,-300,-301  
Schematic Diagram  
Figure 106 (Sheet 2)

# 28-22-52

TESTING & TROUBLE SHOOTING  
01.101 Page 127  
Mar 01/02



**BOEING**  
COMPONENT  
MAINTENANCE MANUAL

REPAIR

1. Materials

- A. Varglas non-fray type H0 or HP sleeving (Varflex Corporation, 512 W. Court Street, Rome, New York 13440)

2. Repair

- A. All repairs may be performed with the standard industry practices and procedures in 20-11-05 except as listed below.

(1) When wires are replaced, a minimum spacing of one-quarter inch must be maintained between bundle categories labeled in the schematic. Wires labeled N may be bundled with wires of any category. Varglas sleeving may be used to assure proper spacing. Bundles are color-coded as follows: A (blue), B (green), C (red), and N (white).

(2) When you replace the Korry lighted pushbutton switches, make sure that you use the switch with the letter "D" imprinted on the master module of the switch. The Korry part number of the master module with the configuration "D" marked is 13206-001.

**28-22-52**

REPAIR-GENERAL

01.1

Page 601

Jul 01/03

ILLUSTRATED PARTS LIST

1. This section lists and illustrates replaceable or repairable component parts. The Illustrated Parts Catalog contains a complete explanation of the Boeing part numbering system.

2. Indentures show parts relationships as follows:

Assembly

Detail Parts for Assembly

Subassembly

Attaching Parts for Subassembly

Detail Parts for Subassembly

Detail Installation Parts (Included only if installation parts may be returned to shop as part of assembly)

3. One use code letter (A, B, C, etc.) is assigned in the EFF CODE column for each variation of top assembly. All listed parts are used on all top assemblies except when limitations are shown by use code letter opposite individual part entries.

4. Letter suffixes (alpha-variants) are added to item numbers for optional parts, Service Bulletin modification parts, configuration differences (except left- and right-hand parts), product improvement parts, and parts added between two sequential item numbers. The alpha-variant is not shown on illustrations when appearance and location of all variants of the part are the same.

5. Service Bulletin modifications are shown by the notations PRE SB XXXX and POST SB XXXX.

A. When a new top assembly part number is assigned by Service Bulletin, the notations appear at the top assembly level only. The configuration differences at detail part level are then shown by use code letter.

B. When the top assembly part number is not changed by the Service Bulletin, the notations appear at the detail part level.

6. Parts Interchangeability

Optional  
(OPT)

The parts are optional to and interchangeable with other parts having the same item number.

Supersedes, Superseded By  
(SUPSDS, SUPSD BY)

The part supersedes and is not interchangeable with the original part.

Replaces, Replaced By  
(REPLS, REPLD BY)

The part replaces and is interchangeable with, or is an alternate to, the original part.

**28-22-52**

ILLUSTRATED PARTS LIST

01

Page 1001

Jul 10/83

7. Use substitute parts only as specified in the drawing 280T1001, Airplane Electrical/Electronic Parts Substitution Drawing.

**28-22-52**

ILLUSTRATED PARTS LIST  
01.1 Page 1002  
Jan 01/93



**BOEING**  
COMPONENT  
MAINTENANCE MANUALVENDORS

01526 GENICOM CORP  
ONE GENICOM DRIVE  
WAYNESBORO, VIRGINIA 22980-1999

03743 APPLETON ELECTRIC CO DIV OF EMERSON ELECTRIC CO  
2205 12TH AVENUE  
SOUTH MILWAUKEE, WISCONSIN 53172-2541

05617 IDD AEROSPACE CORP  
18225 NORTHEAST 76TH STREET PO BOX 97056  
REDMOND, WASHINGTON 98073-9756

08524 DEUTSCH FASTENER CORP SEE CODE V97928

08719 JAY-EL PRODUCTS, INCORPORATED  
23301 SOUTH WILMINGTON AVENUE  
CARSON, CALIFORNIA 90745

09026 BABCOCK ELECTRONICS CORP CONTROL PRODUCT DIV SEE  
ESTERLINE ELECTRONICS CORP V82050

11815 CHERRY AEROSPACE FASTENERS DIV OF TEXTRON  
1224 EAST WARNER AVENUE PO BOX 2157  
SANTA ANA, CALIFORNIA 92707-0157

12324 DUPREE INC STAKE FASTENER CO  
14395 RAMONA PO BOX 1797  
CHINO, CALIFORNIA 91708

15653 KAYNAR TECHNOLOGY KAYNAR DIV  
800 SOUTH STATE COLLEGE BLVD PO BOX 3001  
FULLERTON, CALIFORNIA 92831-3001

35344 LEACH CORP RELAY DIV SEE LEACH CORP CONTROL PROD DIV V58657

**28-22-52**ILLUSTRATED PARTS LIST  
01.1 Page 1003  
Nov 01/00

VENDORS

51896 SPECTRA LUX CORP  
11825 120TH AVENUE NORTHEAST  
KIRKLAND, WASHINGTON 98034

52828 REPUBLIC FASTENER MFG CORP  
1300 RANCHO CONEJO BLVD  
NEWBURY PARK, CALIFORNIA 91320-1405

58614 COMMUNICATIONS INSTRUMENTS INC  
HWY 74 EAST, PO BOX 520  
FAIRVIEW, NORTH CAROLINA 28730

58657 LEACH INTERNATIONAL OF NORTH AMERICA  
6900 ORANGETHORPE AVE PO BOX 5032  
BUENA PARK, CALIFORNIA 90622-5032

60119 MONADNOCK CO THE  
18301 ARENTH AVENUE PO BOX 1222  
CITY OF INDUSTRY, CALIFORNIA 91749

71482 CP CLARE CORP NORTH AMERICA SALES OPERATIONS  
601B CAMPUS DRIVE  
ARLINGTON HEIGHTS, ILLINOIS 60004

72794 DZUS FASTENER COMPANY, INCORPORATED  
425 UNION BOULEVARD  
WEST ISLIP, NEW YORK 11795-3123

72962 ELASTIC STOP NUT A DIV OF HARTFORD INDUSTRIES INC  
2330 VAUXHALL ROAD  
UNION, NEW JERSEY 07083-5038

80539 SPS TECHNOLOGIES INC AEROSPACE PRODUCTS DIV  
2701 SOUTH HARBOR BOULEVARD PO BOX 1259  
SANTA ANA, CALIFORNIA 92702-1259

81590 KORRY ELECTRONIC INC SUB OF CRITON CORP  
901 DEXTER AVENUE NORTH  
SEATTLE, WASHINGTON 98109-3515

28-22-52

ILLUSTRATED PARTS LIST  
01.1 Page 1004  
Nov 01/00

**BOEING**  
COMPONENT  
MAINTENANCE MANUALVENDORS

88245 WINCHESTER ELECTRONICS LITTON SYSTEMS INC USECO DIV  
13536 SATICOY STREET  
VAN NUYS, CALIFORNIA 91409

91663 ARMEL ELECTRONICS, INCORPORATED  
1601 75TH STREET  
NORTH BERGEN, NEW JERSEY 07047-4046

92215 FAIRCHILD IND INC FAIRCHILD AEROSPACE FASTENER DIV  
3010 W LOMITA BLVD  
TORRANCE, CALIFORNIA 90505-5102

96182 EATON CORP AEROSPACE AND COMMERCIAL CONTROLS DIV MSC PROD  
1640 MONROVIA  
COSTA MESA, CALIFORNIA 92627-4405

**28-22-52**ILLUSTRATED PARTS LIST  
01.1 Page 1005  
Mar 01/98

## REFERENCE DESIGNATOR INDEX (SEE SCHEMATIC DIAGRAM)

REFERENCE DESIGNATOR	PART NUMBER	FIG-ITEM
CR1	JANTX1N5618	1-80
CR1,CR3	JANTX1N5618	5-80
CR1-CR6	JANTX1N5618	2-105
CR1-CR6	JANTX1N5618	6-105
CR3	JANTX1N5618	1-80
J1	BACC45FN18-31P7	105
J1	BACC45FN18-31P7	2-135
J1	BACC45FN18-31P7	3-60
J1	BACC45FN18-31P7	4-75
J1	BACC45FN18-31P7	5-105
J1	BACC45FN18-31P7	6-135
J2	BACC45FN18-31P8	3-65
J2	BACC45FN18-31P8	1-110
J2	BACC45FN18-31P8	2-140
J2	BACC45FN18-31P8	4-80
J2	BACC45FN18-31P8	5-110
J2	BACC45FN18-31P8	6-140
J3	BACC45FN16-24P7	1-115
J3	BACC45FN16-24P7	2-145
J3	BACC45FN16-24P7	3-70
J3	BACC45FN16-24P7	4-85
J3	BACC45FN16-24P7	5-115
J3	BACC45FN16-24P7	6-145
J4	800000121-1	1-30
J4	800000121-1	2-30A
J4	800000121-1	3-25
J4	800000121-1	4-35
J4	800000121-1	5-30
J4	800000121-1	6-30A

# 28-22-52

 ILLUSTRATED PARTS LIST  
 01.1 Page 1006  
 Jul 01/03


**BOEING**  
 COMPONENT  
 MAINTENANCE MANUAL

REFERENCE DESIGNATOR INDEX (SEE SCHEMATIC DIAGRAM)		
REFERENCE DESIGNATOR	PART NUMBER	FIG-ITEM
K1-K4	HFW1204K01	1-85
K1-K4	HFW1204K01	2-115
K1-K4	HFW1204K01	5-85
K1-K4	HFW1204K01	6-115
K2	HFW1204K01	3-95
K2	HFW1204K01	4-110
K4	HFW1204K01	3-95
K4	HFW1204K01	4-110
K5-K8	10167-10BT	2-55
K5-K8	10167-10BT	6-55
K5-K8	10167-1002BT	2-55A
K5-K8	10167-1002BT	3-90
K5-K8	10167-1002BT	4-105
K5-K8	10167-1002BT	6-55A
K5-K8	TD1982-1002BT	3-90A
K5-K8	TD1982-1002BT	4-105A
K5-K8	530750-1002	3-90B
K5-K8	530750-1002	4-105B
K5-K8	TD1982-1002	3-90C
K5-K8	TD1982-1002	4-105C
L1	BCREF6367	1-15
L1	BCREF6367	2-15
L1	BCREF6367	5-15
L1	BCREF6367	6-15
L1	BCREF8595	1-15A
L1	BCREF8595	2-15A
L1	BCREF8595	3-30
L1	BCREF8595	4-40
L1	BCREF8595	5-15A
L1	BCREF8595	6-15A
R1-R4	RLR32C2201GR	2-100
R1-R4	RLR32C2201GR	3-105
R1-R4	RLR32C2201GR	4-120
R1-R4	RLR32C2201GR	6-100

28-22-52

 ILLUSTRATED PARTS LIST  
 01.1 Page 1007  
 Jul 01/03

## REFERENCE DESIGNATOR INDEX (SEE SCHEMATIC DIAGRAM)

REFERENCE DESIGNATOR	PART NUMBER	FIG-ITEM
S1	BCREFA0511	1-5B
S1	BCREFA0511	2-5H
S1	BCREFA0511	5J
S1	BCREFA0511	5L
S1	BCREFA0511	5N
S1	BCREFA0511	3-5
S1	BCREFA0511	5C
S1	BCREFA0511	4-15
S1	BCREFA0511	15B
S1	BCREFA0511	5-5B
S1	BCREFA0511	6-5H
S1	BCREFA0511	5J
S1	BCREFA0511	5L
S1	BCREFA0511	5N
S1	BCREFA0511	5V
S1	BCREFA0511	6C
S1	BCREF7612	2-5C
S1	BCREF7612	5E
S1	BCREF7612	6-5C
S1	BCREF7612	5E
S1	BCREF7612	5U
S1	BCREF7612	6
S1	851-30768-2026	1-5
S1	851-30768-2026	2-5
S1	851-30768-2026	5F
S1	851-30768-2026	5-5
S1	851-30768-2026	6-5
S1	851-30768-2026	5A
S1	851-30768-2026	5F
S1	851-30768-2026	6A
S1	851-30768-3026	2-5B
S1	851-30768-3026	5G
S1	851-30768-3026	6-5B
S1	851-30768-3026	5T
S1	851-30768-3026	5G
S1	851-30768-3026	6B
S1	851-35100-5026	1-5D
S1	851-35100-5026	2-5Q
S1	851-35100-5026	5R
S1	851-35100-5026	5S
S1	851-35100-5026	3-5D
S1	851-35100-5026	4-15A
S1	851-35100-5026	5-5D

# 28-22-52

ILLUSTRATED PARTS LIST

01.1 Page 1008

Jul 01/03


**BOEING**  
 COMPONENT  
 MAINTENANCE MANUAL

REFERENCE DESIGNATOR INDEX (SEE SCHEMATIC DIAGRAM)		
REFERENCE DESIGNATOR	PART NUMBER	FIG-ITEM
S1	851-35100-5026	6-5Q
S1	851-35100-5026	5R
S1	851-35100-5026	5S
S1	851-35100-5026	5W
S1	851-35100-5026	6D
S2	BCREFA0511	1-5B
S2	BCREFA0511	2-5H
S2	BCREFA0511	5J
S2	BCREFA0511	5L
S2	BCREFA0511	5N
S2	BCREFA0511	3-5
S2	BCREFA0511	5C
S2	BCREFA0511	4-15
S2	BCREFA0511	15B
S2	BCREFA0511	5-5B
S2	BCREFA0511	6-5H
S2	BCREFA0511	5J
S2	BCREFA0511	5L
S2	BCREFA0511	5N
S2	BCREFA0511	5V
S2	BCREFA0511	6C
S2	BCREF7612	2-5C
S2	BCREF7612	5E
S2	BCREF7612	6-5C
S2	BCREF7612	5E
S2	BCREF7612	5U
S2	BCREF7612	6
S2	851-30768-2026	1-5
S2	851-30768-2026	2-5
S2	851-30768-2026	5F
S2	851-30768-2026	5-5
S2	851-30768-2026	6-5
S2	851-30768-2026	5A
S2	851-30768-2026	5F
S2	851-30768-2026	6A

28-22-52

ILLUSTRATED PARTS LIST

01.1

Page 1009

Jul 01/03

## REFERENCE DESIGNATOR INDEX (SEE SCHEMATIC DIAGRAM)

REFERENCE DESIGNATOR	PART NUMBER	FIG-ITEM
S2	851-30768-3026	2-5B
S2	851-30768-3026	5G
S2	851-30768-3026	6-5B
S2	851-30768-3026	5G
S2	851-30768-3026	5T
S2	851-30768-3026	6B
S2	851-35100-5026	1-5D
S2	851-35100-5026	2-5Q
S2	851-35100-5026	5R
S2	851-35100-5026	5S
S2	851-35100-5026	3-5D
S2	851-35100-5026	4-15A
S2	851-35100-5026	5-5D
S2	851-35100-5026	6-5Q
S2	851-35100-5026	5R
S2	851-35100-5026	5S
S2	851-35100-5026	5W
S2	851-35100-5026	6D
S3	BCREFA0509	1-25B
S3	BCREFA0509	2-25H
S3	BCREFA0509	25J
S3	BCREFA0509	25L
S3	BCREFA0509	25N
S3	BCREFA0509	3-20
S3	BCREFA0509	20B
S3	BCREFA0509	4-30
S3	BCREFA0509	30B
S3	BCREFA0509	5-25B
S3	BCREFA0509	6-25H
S3	BCREFA0509	25J
S3	BCREFA0509	25L
S3	BCREFA0509	25N
S3	BCREFA0509	25V
S3	BCREFA0509	26C
S3	BCREF7610	2-25C
S3	BCREF7610	25E
S3	BCREF7610	6-25C
S3	BCREF7610	25E
S3	BCREF7610	25U
S3	BCREF7610	26

# 28-22-52

ILLUSTRATED PARTS LIST

01.1 Page 1010

Jul 01/03




**BOEING**  
 COMPONENT  
 MAINTENANCE MANUAL

REFERENCE DESIGNATOR INDEX (SEE SCHEMATIC DIAGRAM)		
REFERENCE DESIGNATOR	PART NUMBER	FIG-ITEM
S3	851-30768-2022	1-25
S3	851-30768-2022	2-25
S3	851-30768-2022	25F
S3	851-30768-2022	5-25
S3	851-30768-2022	6-25
S3	851-30768-2022	25A
S3	851-30768-2022	25F
S3	851-30768-2022	26A
S3	851-30768-3022	2-25B
S3	851-30768-3022	25G
S3	851-30768-3022	6-25B
S3	851-30768-3022	25G
S3	851-30768-3022	25T
S3	851-30768-3022	26B
S3	851-35100-5022	1-25D
S3	851-35100-5022	2-25Q
S3	851-35100-5022	25R
S3	851-35100-5022	25S
S3	851-35100-5022	3-20C
S3	851-35100-5022	4-30A
S3	851-35100-5022	5-25D
S3	851-35100-5022	6-25Q
S3	851-35100-5022	25R
S3	851-35100-5022	25S
S3	851-35100-5022	25W
S3	851-35100-5022	26D
S4	BCREFA0511	1-5B
S4	BCREFA0511	2-5H
S4	BCREFA0511	5J
S4	BCREFA0511	5L
S4	BCREFA0511	5N
S4	BCREFA0511	3-5
S4	BCREFA0511	5C
S4	BCREFA0511	4-15
S4	BCREFA0511	15B
S4	BCREFA0511	5-5B
S4	BCREFA0511	6-5H
S4	BCREFA0511	5J
S4	BCREFA0511	5L
S4	BCREFA0511	5N
S4	BCREFA0511	5V
S4	BCREFA0511	6C

28-22-52

ILLUSTRATED PARTS LIST

01.1

Page 1011

Jul 01/03

## REFERENCE DESIGNATOR INDEX (SEE SCHEMATIC DIAGRAM)

REFERENCE DESIGNATOR	PART NUMBER	FIG-ITEM
S4	BCREF7612	2-5C
S4	BCREF7612	5E
S4	BCREF7612	6-5C
S4	BCREF7612	5E
S4	BCREF7612	5U
S4	BCREF7612	6
S4	851-30768-2026	1-5
S4	851-30768-2026	2-5
S4	851-30768-2026	5F
S4	851-30768-2026	5-5
S4	851-30768-2026	6-5
S4	851-30768-2026	5A
S4	851-30768-2026	5F
S4	851-30768-2026	6A
S4	851-30768-3026	2-5B
S4	851-30768-3026	5G
S4	851-30768-3026	6-5B
S4	851-30768-3026	5G
S4	851-30768-3026	5T
S4	851-30768-3026	6B
S4	851-35100-5026	1-5D
S4	851-35100-5026	2-5Q
S4	851-35100-5026	5R
S4	851-35100-5026	5S
S4	851-35100-5026	3-5D
S4	851-35100-5026	4-15A
S4	851-35100-5026	5-5D
S4	851-35100-5026	6-5Q
S4	851-35100-5026	5R
S4	851-35100-5026	5S
S4	851-35100-5026	5W
S4	851-35100-5026	6D

# 28-22-52

 ILLUSTRATED PARTS LIST  
 01.1 Page 1012  
 Jul 01/03


**BOEING**  
 COMPONENT  
 MAINTENANCE MANUAL

REFERENCE DESIGNATOR INDEX (SEE SCHEMATIC DIAGRAM)		
REFERENCE DESIGNATOR	PART NUMBER	FIG-ITEM
S5	BCREFA0511	1-5B
S5	BCREFA0511	2-5H
S5	BCREFA0511	5J
S5	BCREFA0511	5L
S5	BCREFA0511	5N
S5	BCREFA0511	3-5
S5	BCREFA0511	5C
S5	BCREFA0511	4-15
S5	BCREFA0511	15B
S5	BCREFA0511	5-5B
S5	BCREFA0511	6-5H
S5	BCREFA0511	5J
S5	BCREFA0511	5L
S5	BCREFA0511	5N
S5	BCREFA0511	5V
S5	BCREFA0511	6C
S5	BCREF7612	2-5C
S5	BCREF7612	5E
S5	BCREF7612	6-5C
S5	BCREF7612	5E
S5	BCREF7612	5U
S5	BCREF7612	6
S5	851-30768-2026	1-5
S5	851-30768-2026	2-5
S5	851-30768-2026	5F
S5	851-30768-2026	5-5
S5	851-30768-2026	6-5
S5	851-30768-2026	5A
S5	851-30768-2026	5F
S5	851-30768-2026	6A

28-22-52

 ILLUSTRATED PARTS LIST  
 01.1 Page 1013  
 Jul 01/03

## REFERENCE DESIGNATOR INDEX (SEE SCHEMATIC DIAGRAM)

REFERENCE DESIGNATOR	PART NUMBER	FIG-ITEM
S5	851-30768-3026	2-5B
S5	851-30768-3026	5G
S5	851-30768-3026	6-5B
S5	851-30768-3026	5G
S5	851-30768-3026	5T
S5	851-30768-3026	6B
S5	851-35100-5026	1-5D
S5	851-35100-5026	2-5Q
S5	851-35100-5026	5R
S5	851-35100-5026	5S
S5	851-35100-5026	3-5D
S5	851-35100-5026	4-15A
S5	851-35100-5026	5-5D
S5	851-35100-5026	6-5Q
S5	851-35100-5026	5R
S5	851-35100-5026	5S
S5	851-35100-5026	5W
S5	851-35100-5026	6D
S6	BCREFA0508	1-20B
S6	BCREFA0508	2-20H
S6	BCREFA0508	20J
S6	BCREFA0508	20L
S6	BCREFA0508	20N
S6	BCREFA0508	3-15
S6	BCREFA0508	15B
S6	BCREFA0508	4-25
S6	BCREFA0508	25B
S6	BCREFA0508	5-20B
S6	BCREFA0508	6-20H
S6	BCREFA0508	20J
S6	BCREFA0508	20L
S6	BCREFA0508	20N
S6	BCREFA0508	20V
S6	BCREFA0508	21C

28-22-52

 ILLUSTRATED PARTS LIST  
 01.1 Page 1014  
 Jul 01/03


**BOEING**  
 COMPONENT  
 MAINTENANCE MANUAL

REFERENCE DESIGNATOR INDEX (SEE SCHEMATIC DIAGRAM)		
REFERENCE DESIGNATOR	PART NUMBER	FIG-ITEM
S6	BCREF7609	2-20C
S6	BCREF7609	20E
S6	BCREF7609	6-20C
S6	BCREF7609	20E
S6	BCREF7609	20U
S6	BCREF7609	21
S6	851-30768-2021	1-20
S6	851-30768-2021	2-20
S6	851-30768-2021	20F
S6	851-30768-2021	5-20
S6	851-30768-2021	6-20
S6	851-30768-2021	20A
S6	851-30768-2021	20F
S6	851-30768-2021	21A
S6	851-30768-3021	2-20B
S6	851-30768-3021	20G
S6	851-30768-3021	6-20B
S6	851-30768-3021	20G
S6	851-30768-3021	20T
S6	851-30768-3021	21B
S6	851-35100-5021	1-20D
S6	851-35100-5021	2-20Q
S6	851-35100-5021	20R
S6	851-35100-5021	20S
S6	851-35100-5021	3-15C
S6	851-35100-5021	4-25A
S6	851-35100-5021	5-20D
S6	851-35100-5021	6-20Q
S6	851-35100-5021	20R
S6	851-35100-5021	20S
S6	851-35100-5021	20W
S6	851-35100-5021	21D
S7	BCREFA0517	1-10B
S7	BCREFA0517	10H
S7	BCREFA0517	2-10H
S7	BCREFA0517	10J
S7	BCREFA0517	10L
S7	BCREFA0517	10N
S7	BCREFA0517	11F
S7	BCREFA0517	11K
S7	BCREFA0517	11L

28-22-52

 ILLUSTRATED PARTS LIST  
 01.1 Page 1015  
 Jul 01/03

## REFERENCE DESIGNATOR INDEX (SEE SCHEMATIC DIAGRAM)

REFERENCE DESIGNATOR	PART NUMBER	FIG-ITEM
S7	BCREFA0517	3-10
S7	BCREFA0517	10B
S7	BCREFA0517	4-20
S7	BCREFA0517	20B
S7	BCREFA0517	5-10B
S7	BCREFA0517	10H
S7	BCREFA0517	6-10H
S7	BCREFA0517	10J
S7	BCREFA0517	10L
S7	BCREFA0517	10N
S7	BCREFA0517	11F
S7	BCREFA0517	11K
S7	BCREFA0517	11L
S7	BCREFA0517	11Q
S7	BCREF7617	1-10E
S7	BCREF7617	2-10C
S7	BCREF7617	10E
S7	BCREF7617	11
S7	BCREF7617	11C
S7	BCREF7617	11H
S7	BCREF7617	5-10E
S7	BCREF7617	6-10C
S7	BCREF7617	10E
S7	BCREF7617	11
S7	BCREF7617	11C
S7	BCREF7617	11H
S7	BCREF7617	11P
S7	851-30768-2038	1-10
S7	851-30768-2038	10F
S7	851-30768-2038	2-10F
S7	851-30768-2038	11A
S7	851-30768-2038	11D
S7	851-30768-2038	5-10
S7	851-30768-2038	10F
S7	851-30768-2038	6-10F
S7	851-30768-2038	11A
S7	851-30768-2038	11D

# 28-22-52

 ILLUSTRATED PARTS LIST  
 01.1 Page 1016  
 Jul 01/03


**BOEING**  
 COMPONENT  
 MAINTENANCE MANUAL

REFERENCE DESIGNATOR INDEX (SEE SCHEMATIC DIAGRAM)		
REFERENCE DESIGNATOR	PART NUMBER	FIG-ITEM
S7	851-30768-3038	2-10B
S7	851-30768-3038	10G
S7	851-30768-3038	11B
S7	851-30768-3038	11E
S7	851-30768-3038	11J
S7	851-30768-3038	6-10B
S7	851-30768-3038	10G
S7	851-30768-3038	11B
S7	851-30768-3038	11E
S7	851-30768-3038	11J
S7	851-30768-3038	11N
S7	851-30768-3078	5-10G
S7	851-35100-5038	1-10D
S7	851-35100-5038	10J
S7	851-35100-5038	2-10Q
S7	851-35100-5038	10R
S7	851-35100-5038	10S
S7	851-35100-5038	11G
S7	851-35100-5038	11M
S7	851-35100-5038	3-10C
S7	851-35100-5038	4-20A
S7	851-35100-5038	5-10D
S7	851-35100-5038	10J
S7	851-35100-5038	6-10Q
S7	851-35100-5038	10R
S7	851-35100-5038	10S
S7	851-35100-5038	11G
S7	851-35100-5038	11M
S7	851-35100-5038	11R
S8	BCREFA0517	3-10
S8	BCREFA0517	10B
S8	BCREFA0517	4-20
S8	BCREFA0517	20B
S8	851-35100-5038	3-10C
S8	851-35100-5038	4-20A

28-22-52

 ILLUSTRATED PARTS LIST  
 01.1 Page 1017  
 Jul 01/03

REFERENCE DESIGNATOR INDEX (SEE SCHEMATIC DIAGRAM)		
REFERENCE DESIGNATOR	PART NUMBER	FIG-ITEM
T1-T6	4443B9	1-120
T1-T6	4443B9	5-120
T1-T15	4443B9	2-110
T1-T15	4443B9	6-110
T1-T16	4443B9	3-115
T1-T16	4443B9	4-130
XK1-XK4	HRTS17KM	1-90
XK1-XK4	HRTS17KM	2-120
XK1-XK4	HRTS17KM	5-90
XK1-XK4	HRTS17KM	6-120
XK2	BACS16AG1	4-115
XK2	451120-026	3-100
XK4	BACS16AG1	4-115
XK4	451120-026	3-100

# 28-22-52

 ILLUSTRATED PARTS LIST  
 01.1 Page 1018  
 Jul 01/03




**BOEING**  
 COMPONENT  
 MAINTENANCE MANUAL

PART NUMBER	AIRLINE PART NO.	FIG.	ITEM	TTL REQ
BACC45FN16-24P7		1	115	1
		2	145	1
		3	70	1
		4	85	1
		5	115	1
		6	145	1
BACC45FN18-31P7		1	105	1
		2	135	1
		3	60	1
		4	75	1
		5	105	1
		6	135	1
BACC45FN18-31P8		1	110	1
		2	140	1
		3	65	1
		4	80	1
		5	110	1
		6	140	1
BACN10JC06		2	50	8
		3	85	8
		4	100	8
		6	50	8
BACN10NW1		1	100	6
		2	130	6
		3	55	6
		4	70	6
		5	100	6
		6	130	6
BACN10PA06-6		1	45	3
		2	70	3
		5	45	3
		6	70	3
BACP10U0412N		1	60	1
		2	80	1
		3	155	1
		4	170	1
		5	60	1
		6	80	1
BACR13CD2		1	85	4
		2	115	4
		3	95	2
		4	110	2
		5	85	4
		6	115	4
BACR15CE5AD		3	125	4
		4	140	4

28-22-52

ILLUSTRATED PARTS LIST

01.1

Page 1019

Jul 01/03

PART NUMBER	AIRLINE PART NO.	FIG.	ITEM	TTL REQ
BACS12CB04-5		1	95	
		2	125	
		5	95	
		6	125	
BACS12CB06-5		1	65	
		2	85	
		5	65	
		6	85	
BACS16AG1		3	100	2
		4	115	2
BACS21DD1B		1	50	4
		2	75	4
		5	50	4
		6	75	4
BACS21DX1B		3	145	4
		4	160	4
BCREFA0508		1	20B	1
		2	20H	1
		2	20J	1
		2	20L	1
		2	20N	1
		3	15	1
		3	15B	1
		4	25	1
		4	25B	1
		5	20B	1
		6	20H	1
		6	20J	1
		6	20L	1
		6	20N	1
6	20V	1		
6	21C	1		

# 28-22-52

 ILLUSTRATED PARTS LIST  
 01.1 Page 1020  
 Jul 01/03


**BOEING**  
 COMPONENT  
 MAINTENANCE MANUAL

PART NUMBER	AIRLINE PART NO.	FIG.	ITEM	TTL REQ	
BCREFA0509		1	25B	1	
		2	25H	1	
		2	25J	1	
		2	25L	1	
		2	25N	1	
		3	20	1	
		3	20B	1	
		4	30	1	
		4	30B	1	
		5	25B	1	
		6	25H	1	
		6	25J	1	
		6	25L	1	
		6	25N	1	
		6	25V	1	
		6	26C	1	
	BCREFA0511		1	5B	4
			2	5H	4
		2	5J	4	
		2	5L	4	
		2	5N	4	
		3	5	4	
		3	5C	4	
		4	15	4	
		4	15B	4	
		5	5B	4	
		6	5H	4	
		6	5J	4	
		6	5L	4	
		6	5N	4	
		6	5V	4	
		6	6C	4	

28-22-52

 ILLUSTRATED PARTS LIST  
 01.1 Page 1021  
 Jul 01/03

PART NUMBER	AIRLINE PART NO.	FIG.	ITEM	TTL REQ
BCREFA0517		1	10B	1
		1	10H	1
		2	10H	1
		2	10J	1
		2	10L	1
		2	10N	1
		2	11F	1
		2	11K	1
		2	11L	1
		3	10	2
		3	10B	2
		4	20	2
		4	20B	2
		5	10B	1
		5	10H	1
		6	10H	1
		6	10J	1
		6	10L	1
		6	10N	1
		6	11F	1
	6	11K	1	
	6	11L	1	
	6	11Q	1	
BCREF6367		1	15	1
		2	15	1
		2	15C	
		2	15D	
		5	15	1
		6	15	1
BCREF7609		2	20C	1
		2	20E	1
		6	21	1
		6	20C	1
		6	20E	1
		6	20U	1
BCREF7610		2	25C	1
		2	25E	1
		6	26	1
		6	25C	1
		6	25E	1
		6	25U	1
BCREF7612		2	5C	4
		2	5E	4
		6	6	4
		6	5C	4
		6	5E	4
		6	5U	4

28-22-52

ILLUSTRATED PARTS LIST

01.1

Page 1022

Jul 01/03


**BOEING**  
 COMPONENT  
 MAINTENANCE MANUAL

PART NUMBER	AIRLINE PART NO.	FIG.	ITEM	TTL REQ	
BCREF7617		1	10E	1	
		2	11	1	
		2	10C	1	
		2	10E	1	
		2	11C	1	
		2	11H	1	
		5	10E	1	
		6	11	1	
		6	10C	1	
		6	10E	1	
		6	11C	1	
		6	11H	1	
		6	11P	1	
	BCREF8595		1	15A	1
			2	15A	1
		2	15B		
		2	15E		
		3	30	1	
		4	40	1	
		5	15A	1	
		6	15A	1	
BRH10A06		2	50	8	
		2	50	8	
		3	85	8	
		4	100	8	
		6	50	8	
		6	50	8	
BR16S233		1	85	4	
		2	115	4	
		3	95	2	
		4	110	2	
		5	85	4	
		6	115	4	
DBMB1400-6A1		1	50	4	
		2	75	4	
		5	50	4	
		6	75	4	
EE4AA005		1	85	4	
		2	115	4	
		3	95	2	
		4	110	2	
		5	85	4	
		6	115	4	

28-22-52

 ILLUSTRATED PARTS LIST  
 01.1 Page 1023  
 Jul 01/03

PART NUMBER	AIRLINE PART NO.	FIG.	ITEM	TTL REQ
HFW1204K01		1	85	4
		2	115	4
		3	95	2
		4	110	2
		5	85	4
		6	115	4
HFW1206K03		1	85	4
		2	115	4
		3	95	2
		4	110	2
		5	85	4
		6	115	4
HRTS17KM		1	90	4
		2	120	4
		5	90	4
		6	120	4
H10-06BAC		2	50	8
		3	85	8
		4	100	8
		6	50	8
JANTX1N5618		1	80	2
		2	105	6
		3	110	6
		4	125	6
		5	80	2
		6	105	6
K19798-04		1	100	6
		2	130	6
		3	55	6
		4	70	6
		5	100	6
		6	130	6
MS35338-41		1	70	3
		2	90	4
		3	43	4
		4	55	4
		5	70	3
		6	90	4
M39029-1-16-20		1	135	85
		2	165	93
		3	165	89
		3	165A	90
		4	180	90
		5	135	85
6	165	93		

28-22-52

 ILLUSTRATED PARTS LIST  
 01.1 Page 1024  
 Jul 01/03


**BOEING**  
 COMPONENT  
 MAINTENANCE MANUAL

PART NUMBER	AIRLINE PART NO.	FIG.	ITEM	TTL REQ		
NAS1801-04-5		1	95A	6		
		2	125A	6		
		3	50	6		
		4	65	6		
		5	95A	6		
		6	125A	6		
NAS1801-06-14		2	40	6		
		3	75	8		
		4	90	8		
		6	40	6		
		NAS1801-06-5		1	65A	3
				2	85A	4
3	40			4		
4	50			4		
5	65A			3		
6	85A			4		
NAS514P632-14		2	35	2		
NAS514P632-5		6	35	2		
		1	40	3		
		2	65	4		
		5	40	3		
		6	65	4		
		6	65	4		
NAS514P632-5P		3	35	4		
		4	45	4		
		NAS620-6L		2	45	8
				3	80	8
4	95			8		
6	45			8		
NS202101-62		3	85	8		
		4	100	8		
		PFSC35-38ASEMB		3	145	4
				4	160	4
RLR32C2201GR				2	100	4
				3	105	4
		4	120	4		
		6	100	4		
RMA4812-160-40		1	100	6		
		2	130	6		
		3	55	6		
		4	70	6		
		5	100	6		
		6	130	6		
RMLH9075-62W		2	50	8		
		3	85	8		
		4	100	8		
		6	50	8		

28-22-52

 ILLUSTRATED PARTS LIST  
 01.1 Page 1025  
 Jul 01/03

PART NUMBER	AIRLINE PART NO.	FIG.	ITEM	TTL REQ
SF6G6CBB5D		1	45	3
		2	70	3
		3	150	4
		4	165	4
		5	45	3
		6	70	3
S231T290-1021		2	20C	1
		2	20E	1
		6	21	1
		6	20C	1
		6	20E	1
		6	20U	1
		6	20V	1
		6	20V	1
S231T290-1022		2	25C	1
		2	25E	1
		6	26	1
		6	25C	1
		6	25E	1
		6	25U	1
S231T290-1026		2	5C	4
		2	5E	4
		6	6	4
		6	5C	4
		6	5E	4
		6	5U	4
S231T290-1038		1	10E	1
		2	11	1
		2	10C	1
		2	10E	1
		2	11B	1
		2	11C	1
		2	11H	1
		5	10E	1
		6	11	1
		6	10C	1
		6	10E	1
		6	11B	1
		6	11C	1
		6	11H	1
6	11P	1		

**28-22-52**

 ILLUSTRATED PARTS LIST  
 01.1 Page 1026  
 Jul 01/03




**BOEING**  
 COMPONENT  
 MAINTENANCE MANUAL

PART NUMBER	AIRLINE PART NO.	FIG.	ITEM	TTL REQ		
S231T290-2021		1	20	1		
		2	20	1		
		2	20F	1		
		5	20	1		
		6	20	1		
		6	20A	1		
		6	20F	1		
		6	21A	1		
		S231T290-2022		1	25	1
				2	25	1
2	25F			1		
5	25			1		
6	25			1		
6	25A			1		
6	25F			1		
6	26A			1		
S231T290-2026				1	5	4
				2	5	4
		2	5F	4		
		5	5	4		
		6	5	4		
		6	5A	4		
		6	5F	4		
		6	6A	4		
		S231T290-2038		1	10	1
				1	10F	1
2	10F			1		
2	11A			1		
2	11D			1		
5	10			1		
5	10F			1		
6	10F			1		
6	11A			1		
6	11D			1		
S231T290-3021		2	20B	1		
		2	20G	1		
		6	20B	1		
		6	20G	1		
		6	20T	1		
		6	21B	1		
		S231T290-3022		2	25B	1
				2	25G	1
6	25B			1		
6	25G			1		
6	25T			1		
6	26B			1		

28-22-52

ILLUSTRATED PARTS LIST

01.1

Page 1027

Jul 01/03

PART NUMBER	AIRLINE PART NO.	FIG.	ITEM	TTL REQ
S231T290-3026		2	5B	4
		2	5G	4
		6	5B	4
		6	5G	4
		6	5T	4
		6	6B	4
S231T290-3038		1	10G	1
		2	10B	1
		2	10G	1
		2	11E	1
		2	11J	1
		5	10G	1
		6	10B	1
		6	10G	1
		6	11E	1
		6	11J	1
		6	11N	1
S231T290-4021		1	20B	1
		2	20D	
		2	20H	1
		2	20J	1
		2	20L	1
		2	20N	1
		3	15	1
		3	15B	1
		4	25	1
		4	25B	1
		5	20B	1
		6	20D	
		6	20H	1
		6	20J	1
		6	20L	1
	6	20N	1	
	6	21C	1	

# 28-22-52

 ILLUSTRATED PARTS LIST  
 01.1 Page 1028  
 Jul 01/03


**BOEING**  
 COMPONENT  
 MAINTENANCE MANUAL

PART NUMBER	AIRLINE PART NO.	FIG.	ITEM	TTL REQ	
S231T290-4022		1	25B	1	
		2	25D		
		2	25H	1	
		2	25J	1	
		2	25L	1	
		2	25N	1	
		3	20	1	
		3	20B	1	
		4	30	1	
		4	30B	1	
		5	25B	1	
		6	25D		
		6	25H	1	
		6	25J	1	
		6	25L	1	
		6	25N	1	
		6	25V	1	
		6	26C	1	
	S231T290-4026		1	5B	4
			2	5D	
			2	5H	4
		2	5J	4	
		2	5L	4	
		2	5N	4	
		3	5	4	
		3	5C	4	
		4	15	4	
		4	15B	4	
		5	5B	4	
		6	5D		
		6	5H	4	
		6	5J	4	
		6	5L	4	
		6	5N	4	
		6	5V	4	
		6	6C	4	

28-22-52

 ILLUSTRATED PARTS LIST  
 01.1 Page 1029  
 Jul 01/03

PART NUMBER	AIRLINE PART NO.	FIG.	ITEM	TTL REQ
S231T290-4038		1	10B	1
		2	10D	
		2	10H	1
		2	10J	1
		2	10L	1
		2	10N	10
		2	11F	1
		2	11K	1
		2	11L	1
		3	10	2
		3	10B	2
		4	20	2
		4	20B	2
		5	10B	1
		6	10D	
		6	10H	1
		6	10J	1
		6	10L	1
		6	10N	10
	S231T290-5021		6	11F
		6	11K	1
		6	11L	1
		6	11Q	1
		1	20C	
		1	20D	1
		2	20K	
		2	20M	
		2	20P	
		2	20Q	1
		2	20R	1
		2	20S	1
		3	15A	
		3	15C	1
		4	25A	1
		5	20C	
		5	20D	1
		6	20K	
		6	20M	
		6	20P	
	6	20Q	1	
	6	20R	1	
	6	20S	1	
	6	20W	1	
	6	21D	1	

28-22-52

 ILLUSTRATED PARTS LIST  
 01.1 Page 1030  
 Jul 01/03


**BOEING**  
 COMPONENT  
 MAINTENANCE MANUAL

PART NUMBER	AIRLINE PART NO.	FIG.	ITEM	TTL REQ	
S231T290-5022		1	25C		
		1	25D	1	
		2	25K		
		2	25M		
		2	25P		
		2	25Q	1	
		2	25R	1	
		2	25S	1	
		3	20A		
		3	20C	1	
		4	30A	1	
		5	25C		
		5	25D	1	
		6	25K		
		6	25M		
		6	25P		
		6	25Q	1	
		6	25R	1	
		6	25S	1	
		6	25W	1	
		6	26D	1	
	S231T290-5026		1	5C	
			1	5D	4
			2	5K	
			2	5M	
			2	5P	
		2	5Q	4	
		2	5R	4	
		2	5S	4	
		3	5A		
		3	5D	4	
		4	15A	4	
		5	5C		
		5	5D	4	
		6	5K		
		6	5M		
		6	5P		
		6	5Q	4	
		6	5R	4	
		6	5S	4	
		6	5W	4	
	6	6D	4		

28-22-52

ILLUSTRATED PARTS LIST

01.1

Page 1031

Jul 01/03

PART NUMBER	AIRLINE PART NO.	FIG.	ITEM	TTL REQ
S231T290-5038		1	10C	
		1	10D	1
		1	10J	1
		2	10K	
		2	10M	
		2	10P	
		2	10Q	1
		2	10R	1
		2	10S	1
		2	11G	1
		2	11M	1
		3	10A	
		3	10C	2
		4	20A	2
		5	10C	
		5	10D	1
		5	10J	1
		6	10K	
		6	10M	
		6	10P	
		6	10Q	1
	6	10R	1	
	6	10S	1	
	6	11G	1	
	6	11M	1	
	6	11R	1	
S231T300-1293		1	15	1
		2	15	1
		5	15	1
S231T300-2293		6	15	1
		1	15A	1
		2	15A	1
		3	30	1
		4	40	1
		5	15A	1
S233T100-1060		6	15A	1
		5	3	1
S233T100-1106		6	3	1
		4	5	1
S233T100-6043		5	3A	1
		6	3A	1
		6	3B	1
TD1982-1002		3	90C	4
TD1982-1002BT		3	90A	4
		4	105A	4
		4	105C	4

28-22-52

 ILLUSTRATED PARTS LIST  
 01.1 Page 1032  
 Jul 01/03


**BOEING**  
 COMPONENT  
 MAINTENANCE MANUAL

PART NUMBER	AIRLINE PART NO.	FIG.	ITEM	TTL REQ
T6S632J		2	50	8
		3	85	8
		4	100	8
		6	50	8
VN303A62		2	50	8
		3	85	8
		4	100	8
		6	50	8
10167-10BT		2	55	4
		6	55	4
10167-1002BT		2	55A	4
		3	90	4
		4	105	4
		6	55A	4
233T3100-148		1	1W	RF
233T3100-189		6	1	RF
233T3100-189		1	1X	RF
233T3100-251		6	1A	RF
233T3100-251		1	1Y	RF
233T3100-277		6	1B	RF
233T3100-277		1	1Z	RF
233T3100-293		6	1C	RF
233T3100-293		1	2	RF
233T3100-87		6	1D	RF
233T3100-87		1	1V	RF
233T3235-10		5	1	RF
		1	1B	RF
233T3235-1005		2	1A	RF
		6	4A	1
		1	1N	RF
233T3235-1007		5	4A	1
		1	1P	RF
233T3235-1010		2	1F	RF
		6	4G	1
		1	1Q	RF
		2	1G	RF
		6	4H	1

28-22-52

 ILLUSTRATED PARTS LIST  
 01.1 Page 1033  
 Jul 01/03

PART NUMBER	AIRLINE PART NO.	FIG.	ITEM	TTL REQ
233T3235-1011		1	1R	RF
		2	1H	RF
		6	4J	1
233T3235-1012		1	1S	RF
		2	1J	RF
		6	4K	1
233T3235-1013		1	1T	RF
		2	1K	RF
		6	4L	1
233T3235-1015		1	1U	RF
		2	1L	RF
		6	4M	1
233T3235-11		1	1C	RF
		2	1B	RF
		6	4B	1
233T3235-12		1	1D	RF
		2	1C	RF
		6	4C	1
233T3235-13		1	1E	RF
		2	1D	RF
		6	4E	1
233T3235-1300		1	2A	RF
		5	1A	RF
233T3235-1301		1	2B	RF
		6	1E	RF
233T3235-1302		1	2C	RF
		6	1F	RF
233T3235-1303		1	2D	RF
		6	1G	RF
233T3235-1304		1	2E	RF
		6	1H	RF
233T3235-1305		1	2F	RF
		6	1J	RF
233T3235-1306		1	2G	RF
		6	1K	RF
233T3235-1307		1	2H	RF
		6	1L	RF
233T3235-15		1	1F	RF
		2	1E	RF
		6	4F	1
233T3235-17		1	1G	RF
		3	1	RF
233T3235-18		3	140	1
		4	155	1
233T3235-19		3	160	1

28-22-52

 ILLUSTRATED PARTS LIST  
 01.1 Page 1034  
 Jul 01/03




**BOEING**  
 COMPONENT  
 MAINTENANCE MANUAL

PART NUMBER	AIRLINE PART NO.	FIG.	ITEM	TTL REQ
233T3235-20		1	1H	RF
		3	1A	RF
233T3235-21		1	1J	RF
		3	1B	RF
		4	10	1
233T3235-22		3	160A	1
		4	175	1
233T3235-23		1	1K	RF
		3	1C	RF
		4	10A	1
233T3235-3		1	130	1
		5	130	1
233T3235-300		1	1L	RF
		4	1A	RF
233T3235-301		1	1M	RF
		4	1B	RF
233T3235-5		1	1	RF
		5	4	1
233T3235-6		1	35	1
		5	35	1
233T3235-7		1	1A	RF
		2	1	RF
		6	4	1
233T3235-8		2	60	1
		6	60	1
233T3235-9		2	160	1
		6	160	1
233T6200-194		3	135	1
		4	150	1
233T6200-195		3	130	2
		4	145	2
233T6200-196		3	120	1
		4	135	1
233T6200-76		1	125	1
		5	125	1
233T6200-92		2	155	
		2	150A	1
		6	155	
		6	150A	1
233T6200-93		2	150	1
		6	150	1
293162		1	100	6
		2	130	6
		3	55	6
		4	70	6
		5	100	6
		6	130	6

28-22-52

 ILLUSTRATED PARTS LIST  
 01.1 Page 1035  
 Jul 01/03

PART NUMBER	AIRLINE PART NO.	FIG.	ITEM	TTL REQ
3SAV1338A2		1	85	4
		2	115	4
		3	95	2
		4	110	2
		5	85	4
		6	115	4
433-673-1001-1021		2	20C	1
		2	20E	1
		6	21	1
		6	20C	1
		6	20E	1
		6	20U	1
433-673-1001-1022		6	20V	1
		2	25C	1
		2	25E	1
		6	26	1
		6	25C	1
		6	25E	1
433-673-1001-1026		6	25U	1
		2	5C	4
		2	5E	4
		6	6	4
		6	5C	4
		6	5E	4
433-673-1001-1038		6	5U	4
		1	10E	1
		2	11	1
		2	10C	1
		2	10E	1
		2	11C	1
		2	11H	1
		5	10E	1
		6	11	1
		6	10C	1
6	10E	1		
6	11C	1		
6	11H	1		
6	11P	1		

28-22-52

 ILLUSTRATED PARTS LIST  
 01.1 Page 1036  
 Jul 01/03


**BOEING**  
 COMPONENT  
 MAINTENANCE MANUAL

PART NUMBER	AIRLINE PART NO.	FIG.	ITEM	TTL REQ	
433-673-1004-4021		1	20B	1	
		2	20H	1	
		2	20J	1	
		2	20L	1	
		2	20N	1	
		3	15	1	
		3	15B	1	
		4	25	1	
		4	25B	1	
		5	20B	1	
		6	20H	1	
		6	20J	1	
		6	20L	1	
		6	20N	1	
		6	21C	1	
	433-673-1004-4022		1	25B	1
			2	25H	1
		2	25J	1	
		2	25L	1	
		2	25N	1	
		3	20	1	
		3	20B	1	
		4	30	1	
		4	30B	1	
		5	25B	1	
		6	25H	1	
		6	25J	1	
		6	25L	1	
		6	25N	1	
		6	25V	1	
		6	26C	1	
433-673-1004-4026			1	5B	4
		2	5H	4	
		2	5J	4	
		2	5L	4	
		2	5N	4	
		3	5	4	
		3	5C	4	
		4	15	4	
		4	15B	4	
		5	5B	4	
		6	5H	4	
		6	5J	4	
		6	5L	4	
		6	5N	4	
		6	5V	4	
		6	6C	4	

28-22-52

ILLUSTRATED PARTS LIST

01.1

Page 1037

Jul 01/03

PART NUMBER	AIRLINE PART NO.	FIG.	ITEM	TTL REQ	
433-673-1004-4038		1	10B	1	
		1	10H	1	
		2	10H	1	
		2	10J	1	
		2	10L	1	
		2	10N	10	
		2	11F	1	
		2	11K	1	
		2	11L	1	
		3	10	2	
		3	10B	2	
		4	20	2	
		4	20B	2	
		5	10B	1	
		5	10H	1	
		6	10H	1	
		6	10J	1	
		6	10L	1	
		6	10N	10	
		6	11F	1	
	6	11K	1		
	6	11L	1		
	6	11Q	1		
434-674-1005-1293		1	15	1	
		2	15	1	
		5	15	1	
		6	15	1	
	434-674-1031-2293		1	15A	1
			2	15A	1
		3	30	1	
		4	40	1	
		5	15A	1	
		6	15A	1	
4443B9		1	120	6	
		2	110	15	
		3	115	16	
		4	130	16	
		5	120	6	
		6	110	15	
451120-026		3	100	2	
	530750-1002	3	90B	4	
		4	105B	4	

28-22-52

ILLUSTRATED PARTS LIST

01.1 Page 1038

Jul 01/03


**BOEING**  
 COMPONENT  
 MAINTENANCE MANUAL

PART NUMBER	AIRLINE PART NO.	FIG.	ITEM	TTL REQ
69B46200-11		1	75	3
		2	95A	4
		3	45	4
		4	60	4
		5	75	3
		6	95A	4
69B46200-13		2	95	4
		6	95	4
800-000121-1		2	30	
		6	30	
800000121-1		1	30	1
		2	30A	1
		3	25	1
		4	35	1
		5	30	1
		6	30A	1
851-30768-1021		1	20A	
		2	20A	
		5	20A	
851-30768-1022		1	25A	
		2	25A	
		5	25A	
851-30768-1026		1	5A	
		2	5A	
		5	5A	
851-30768-1038		1	10A	
		2	10A	
		5	10A	
		6	10A	
851-30768-2021		1	20	1
		2	20	1
		2	20F	1
		5	20	1
		6	20	1
		6	20A	1
		6	20F	1
		6	21A	1
		1	25	1
		2	25	1
851-30768-2022		2	25F	1
		5	25	1
		6	25	1
		6	25A	1
		6	25F	1
		6	26A	1

28-22-52

 ILLUSTRATED PARTS LIST  
 01.1 Page 1039  
 Jul 01/03

PART NUMBER	AIRLINE PART NO.	FIG.	ITEM	TTL REQ
851-30768-2026		1	5	4
		2	5	4
		2	5F	4
		5	5	4
		6	5	4
		6	5A	4
		6	5F	4
		6	6A	4
851-30768-2038		1	10	1
		1	10F	1
		2	10	
		2	10F	1
		2	11A	1
		2	11D	1
		5	10	1
		5	10F	1
		6	10	
		6	10F	1
		6	11A	1
851-30768-3021		6	11D	1
		2	20B	1
		2	20G	1
		6	20B	1
		6	20G	1
		6	20T	1
		6	21B	1
851-30768-3022		2	25B	1
		2	25G	1
		6	25B	1
		6	25G	1
		6	25T	1
		6	26B	1
		6	26B	1
851-30768-3026		2	5B	4
		2	5G	4
		6	5B	4
		6	5G	4
		6	5T	4
		6	5T	4
		6	6B	4

28-22-52

 ILLUSTRATED PARTS LIST  
 01.1 Page 1040  
 Jul 01/03


**BOEING**  
 COMPONENT  
 MAINTENANCE MANUAL

PART NUMBER	AIRLINE PART NO.	FIG.	ITEM	TTL REQ	
851-30768-3038		2	10B	1	
		2	10G	1	
		2	11B	1	
		2	11E	1	
		2	11J	1	
		6	10B	1	
		6	10G	1	
		6	11B	1	
		6	11E	1	
		6	11J	1	
		6	11N	1	
	851-30768-3078		1	10G	1
			5	10G	1
	851-35100-5021		1	20D	1
		2	20Q	1	
		2	20R	1	
		2	20S	1	
		3	15C	1	
		4	25A	1	
		5	20D	1	
		6	20Q	1	
		6	20R	1	
		6	20S	1	
		6	20W	1	
851-35100-5022			6	21D	1
			1	25D	1
			2	25Q	1
		2	25R	1	
		2	25S	1	
		3	20C	1	
		4	30A	1	
		5	25D	1	
		6	25Q	1	
		6	25R	1	
		6	25S	1	
	6	25W	1		
	6	26D	1		

28-22-52

 ILLUSTRATED PARTS LIST  
 01.1 Page 1041  
 Jul 01/03

PART NUMBER	AIRLINE PART NO.	FIG.	ITEM	TTL REQ	
851-35100-5026		1	5D	4	
		2	5Q	4	
		2	5R	4	
		2	5S	4	
		3	5D	4	
		4	15A	4	
		5	5D	4	
		6	5Q	4	
		6	5R	4	
		6	5S	4	
		6	5W	4	
		6	6D	4	
	851-35100-5038		1	10D	1
			1	10J	1
		2	10Q	1	
		2	10R	1	
		2	10S	1	
		2	11G	1	
		2	11M	1	
		3	10C	2	
		4	20A	2	
		5	10D	1	
		5	10J	1	
		6	10Q	1	
		6	10R	1	
		6	10S	1	
96-62		6	11G	1	
		6	11M	1	
		6	11R	1	
		2	50	8	
		3	85	8	
		4	100	8	
	6	50	8		

28-22-52

 ILLUSTRATED PARTS LIST  
 01.1 Page 1042  
 Jul 01/03



**BOEING**  
COMPONENT  
MAINTENANCE MANUAL

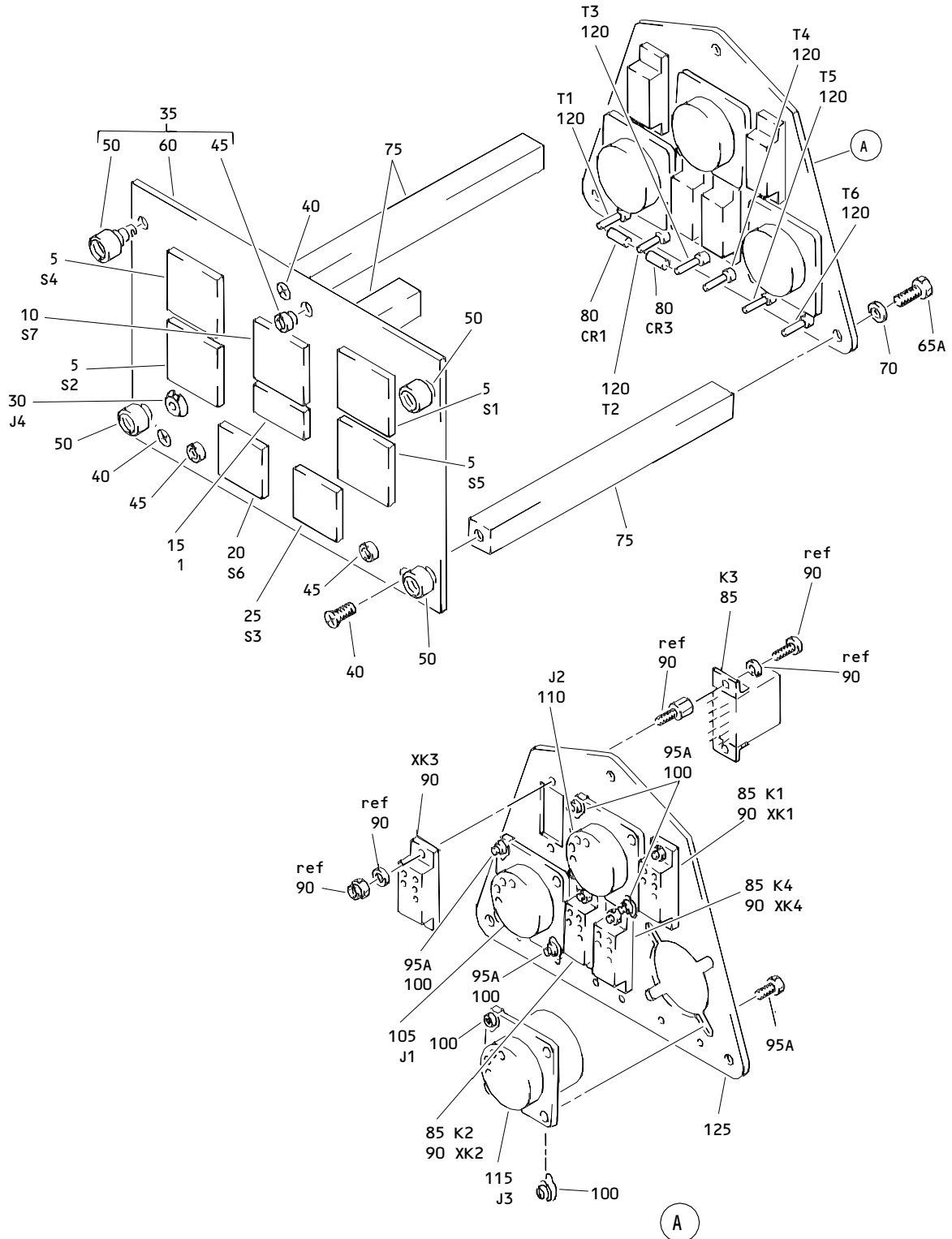
PART NUMBER	AIRLINE PART NO.	FIG.	ITEM	TTL REQ

**28-22-52**

ILLUSTRATED PARTS LIST

01.1 Page 1043

Jul 01/03

**COMPONENT  
MAINTENANCE MANUAL**


M10055 Fuel Control Panel Assembly  
Figure 1

**28-22-52**

 ILLUSTRATED PARTS LIST  
 01.101 Page 1044  
 Jul 01/03


**BOEING**  
 COMPONENT  
 MAINTENANCE MANUAL

FIG. & ITEM	PART NO.	AIRLINE PART NUMBER	NOMENCLATURE 1234567	EFF CODE	QTY PER ASSY
01- -1	233T3235-5		PANEL ASSY-M10055 FUEL CONT (PRE SB 233T3235-28-01) (PRE CSB 233T3235-28-05)	A	RF
-1A	233T3235-7		PANEL ASSY-M10055 FUEL CONT (POST SB 233T3235-28-01) (PRE SB 233T3235-28-02) (PRE SB 233T3235-28-03) (PRE CSB 233T3235-28-05) (FOR DETAILS SEE FIG. 2)	B	RF
-1B	233T3235-10		PANEL ASSY-M10055 FUEL CONT (PRE CSB 233T3235-28-05) (FOR DETAILS SEE FIG. 2)	C	RF
-1C	233T3235-11		PANEL ASSY-M10055 FUEL CONT (POST SB 233T3235-28-02) (POST SB 233T3235-28-03) (PRE CSB 233T3235-28-05) (FOR DETAILS SEE FIG. 2)	D	RF
-1D	233T3235-12		PANEL ASSY-M10055 FUEL CONT (PRE CSB 233T3235-28-05) (FOR DETAILS SEE FIG. 2)	E	RF
-1E	233T3235-13		PANEL ASSY-M10055 FUEL CONT (PRE CSB 233T3235-28-05) (FOR DETAILS SEE FIG. 2)	F	RF
-1F	233T3235-15		PANEL ASSY-M10055 FUEL CONT (PRE CSB 233T3235-28-05) (FOR DETAILS SEE FIG. 2)	G	RF
-1G	233T3235-17		PANEL ASSY-M10055 FUEL CONT (FOR DETAILS SEE FIG. 3)	H	RF
-1H	233T3235-20		PANEL ASSY-M10055 FUEL CONT (FOR DETAILS SEE FIG. 3)	J	RF
-1J	233T3235-21		PANEL ASSY-M10055 FUEL CONT (FOR DETAILS SEE FIG. 3)	K	RF
-1K	233T3235-23		PANEL ASSY-M10055 FUEL CONT (FOR DETAILS SEE FIG. 3)	L	RF
R -1L	233T3235-300		PANEL ASSY-M10055 FUEL CONT (FOR DETAILS SEE FIG. 4)	M	RF
R -1M	233T3235-301		PANEL ASSY-M10055 FUEL CONT (FOR DETAILS SEE FIG. 4)	N	RF

28-22-52

 ILLUSTRATED PARTS LIST  
 01.101 Page 1045  
 Jul 01/03

FIG. & ITEM	PART NO.	AIRLINE PART NUMBER	NOMENCLATURE 1234567	EFF CODE	QTY PER ASSY
01- -1N	233T3235-1005		PANEL ASSY-M10055 FUEL CONT (POST CSB 233T3235-28-05)	P	RF
-1P	233T3235-1007		PANEL ASSY-M10055 FUEL CONT (POST CSB 233T3235-28-05) (FOR DETAILS SEE FIG. 2)	Q	RF
-1Q	233T3235-1010		PANEL ASSY-M10055 FUEL CONT (POST CSB 233T3235-28-05) (FOR DETAILS SEE FIG. 2)	R	RF
-1R	233T3235-1011		PANEL ASSY-M10055 FUEL CONT (POST CSB 233T3235-28-05) (FOR DETAILS SEE FIG. 2)	S	RF
-1S	233T3235-1012		PANEL ASSY-M10055 FUEL CONT (POST CSB 233T3235-28-05) (FOR DETAILS SEE FIG. 2)	T	RF
-1T	233T3235-1013		PANEL ASSY-M10055 FUEL CONT (POST CSB 233T3235-28-05) (FOR DETAILS SEE FIG. 2)	U	RF
-1U	233T3235-1015		PANEL ASSY-M10055 FUEL CONT (POST CSB 233T3235-28-05) (FOR DETAILS SEE FIG. 2)	V	RF
-1V	233T3100-87		PANEL ASSY-M10055 FUEL CONT (PRE CSB 233T3235-28-05R1) (FOR DETAILS SEE FIG. 5)	W	RF
-1W	233T3100-148		PANEL ASSY-M10055 FUEL CONT (PRE CSB 233T3235-28-05R1) (FOR DETAILS SEE FIG. 6)	X	RF
-1X	233T3100-189		PANEL ASSY-M10055 FUEL CONT (PRE CSB 233T3235-28-05R1) (FOR DETAILS SEE FIG. 6)	Y	RF
-1Y	233T3100-251		PANEL ASSY-M10055 FUEL CONT (PRE CSB 233T3235-28-05R1) (FOR DETAILS SEE FIG. 6)	Z	RF

# 28-22-52

ILLUSTRATED PARTS LIST

01.1

Page 1046

Jul 01/03


**BOEING**  
 COMPONENT  
 MAINTENANCE MANUAL

FIG. & ITEM	PART NO.	AIRLINE PART NUMBER	NOMENCLATURE 1234567	EFF CODE	QTY PER ASSY
01- -1Z	233T3100-277		PANEL ASSY-M10055 FUEL CONT (PRE CSB 233T3235-28-05R1) (FOR DETAILS SEE FIG. 6)	AA	RF
-2	233T3100-293		PANEL ASSY-M10055 FUEL CONT (PRE CSB 233T3235-28-05R1) (FOR DETAILS SEE FIG. 6)	AB	RF
-2A	233T3235-1300		PANEL ASSY-M10055 FUEL CONT (POST CSB 233T3235-28-05R1) (FOR DETAILS SEE FIG. 5)	AK	RF
-2B	233T3235-1301		PANEL ASSY-M10055 FUEL CONT (POST CSB 233T3235-28-05R1) (FOR DETAILS SEE FIG. 6)	AC	RF
-2C	233T3235-1302		PANEL ASSY-M10055 FUEL CONT (POST CSB 233T3235-28-05R1) (FOR DETAILS SEE FIG. 6)	AD	RF
-2D	233T3235-1303		PANEL ASSY-M10055 FUEL CONT (POST CSB 233T3235-28-05R1) (FOR DETAILS SEE FIG. 6)	AE	RF
-2E	233T3235-1304		PANEL ASSY-M10055 FUEL CONT (POST CSB 233T3235-28-05R1) (FOR DETAILS SEE FIG. 6)	AF	RF
-2F	233T3235-1305		PANEL ASSY-M10055 FUEL CONT (POST CSB 233T3235-28-05R1) (FOR DETAILS SEE FIG. 6)	AG	RF
-2G	233T3235-1306		PANEL ASSY-M10055 FUEL CONT (POST CSB 233T3235-28-05R1) (FOR DETAILS SEE FIG. 6)	AH	RF
-2H	233T3235-1307		PANEL ASSY-M10055 FUEL CONT (POST CSB 233T3235-28-05R1) (FOR DETAILS SEE FIG. 6)	AJ	RF

28-22-52

 ILLUSTRATED PARTS LIST  
 01.1 Page 1047  
 Jul 01/03

FIG. & ITEM	PART NO.	AIRLINE PART NUMBER	NOMENCLATURE 1234567	EFF CODE	QTY PER ASSY
01-5	851-30768-2026		.SWITCH-LIGHTED PUSHBUTTON IND (ON/PRESS) (V96182) (S1, S2, S4, S5) (SPEC S231T290-2026) (OPT ITEMS 5B, 5D)	A,P	4
-5A -5B	851-30768-1026 BCREFA0511		DELETED .SWITCH-LIGHTED PUSHBUTTON IND (ON/PRESS) (V81590) (433-673-1004-4026) (S1, S2, S4, S5) (SPEC S231T290-4026) (OPT ITEMS 5, 5D)	A,P	4
-5C R -5D	S231T290-5026 851-35100-5026		DELETED .SWITCH-LIGHTED PUSHBUTTON IND (ON/PRESS) (V96182) (S1, S2, S4, S5) (SPEC S231T290-5026) (OPT ITEMS 5, 5B)	A,P	4
10	851-30768-2038		.SWITCH-LIGHTED PUSHBUTTON IND (VALVE) (V96182) (S7) (SPEC S231T290-2038) (OPT ITEMS 10B, 10D)	A	1
-10A -10B	851-30768-1038 BCREFA0517		DELETED .SWITCH-LIGHTED PUSHBUTTON IND (VALVE) (V81590) (433-673-1004-4038) (S7) (SPEC S231T290-4038) (OPT ITEMS 10, 10D)	A	1

28-22-52

 ILLUSTRATED PARTS LIST  
 01.101 Page 1048  
 Jul 01/03

**BOEING**  
 COMPONENT  
 MAINTENANCE MANUAL

FIG. & ITEM	PART NO.	AIRLINE PART NUMBER	NOMENCLATURE 1234567	EFF CODE	QTY PER ASSY
R	01-		DELETED		
	-10C	S231T290-5038	.SWITCH-LIGHTED PUSHBUTTON	A	1
	-10D	851-35100-5038	IND (VALVE) (V96182) (S7) (SPEC S231T290-5038) (OPT ITEMS 10, 10B)		
	-10E	BCREF7617	.SWITCH-LIGHTED PUSHBUTTON	P	1
	-10F	851-30768-2038	IND (V81590) (433-673-1001-1038) (S7) (SPEC S231T290-1038) (USE WITH CONFIGURATION "D" MASTER MODULE. SEE REPAIR FOR ADDITIONAL INFORMATION) (OPT ITEMS 10F, 10G, 10H, 10J)		
	-10G	851-30768-3078	.SWITCH-LIGHTED PUSHBUTTON	P	1
-10H	BCREFA0517	IND (V91682) (S7) (SPEC S231T290-2038) (OPT ITEMS 10E, 10H, 10J)			
			.SWITCH-LIGHTED PUSHBUTTON	P	1
			IND (V85910) (433-673-1004-4038) (S7) (USE WITH CONFIGURATION "D" MASTER MODULE. SEE REPAIR FOR ADDITIONAL INFORMATION) (OPT ITEMS 10E, 10F, 10G, 10J)		

**28-22-52**

ILLUSTRATED PARTS LIST  
 01.101 Page 1049  
 Jul 01/03

FIG. & ITEM	PART NO.	AIRLINE PART NUMBER	NOMENCLATURE 1234567	EFF CODE	QTY PER ASSY
01- -10J	851-35100-5038		.SWITCH-LIGHTED PUSHBUTTON IND (V91682) (S7) (SPEC S231T290-5038) (OPT ITEMS 10E,10F,10G, 10H)	P	1
15	BCREF6367		.LIGHT ASSY-UNBALANCED IND (V81590) (434-674-1005-1293) (L1) (SPEC S231T300-1293) (OPT ITEM 15A)	A,P	1
-15A	BCREF8595		.LIGHT ASSY-UNBALANCED IND (V81590) (434-674-1031-2293) (L1) (SPEC S231T300-2293) (OPT ITEM 15)	A,P	1
20	851-30768-2021		.SWITCH-LIGHTED PUSHBUTTON IND (ON/PRESS) (V96182) (S6) (SPEC S231T290-2021) (OPT ITEMS 20B, 20D)	A,P	1
-20A -20B	851-30768-1021 BCREFA0508		DELETED .SWITCH-LIGHTED PUSHBUTTON IND (ON/PRESS) (V81590) (433-673-1004-4021) (S6) (SPEC S231T290-4021) (OPT ITEMS 20, 20D)	A,P	1

28-22-52

 ILLUSTRATED PARTS LIST  
 01.101 Page 1050  
 Jul 01/03




**BOEING**  
 COMPONENT  
 MAINTENANCE MANUAL

FIG. & ITEM	PART NO.	AIRLINE PART NUMBER	NOMENCLATURE 1234567	EFF CODE	QTY PER ASSY
R 01- -20C -20D	S231T290-5021 851-35100-5021		DELETED .SWITCH-LIGHTED PUSHBUTTON IND (ON/PRESS) (V96182) (S6) (SPEC S231T290-5021) (OPT ITEMS 20, 20B)	A,P	1
25	851-30768-2022		.SWITCH-LIGHTED PUSHBUTTON IND (PRESS/ON) (V96182) (S3) (SPEC S231T290-2022) (OPT ITEMS 25B, 25D)	A,P	1
-25A -25B	851-30768-1022 BCREFA0509		DELETED .SWITCH-LIGHTED PUSHBUTTON IND (ON/PRESS) (V81590) (433-673-1004-4022) (S3) (SPEC S231T290-4022) (OPT ITEMS 25, 25D)	A,P	1
R -25C -25D	S231T290-5022 851-35100-5022		DELETED .SWITCH-LIGHTED PUSHBUTTON IND (ON/PRESS) (V96182) (S3) (SPEC S231T290-5022) (OPT ITEMS 25, 25B)	A,P	1
30	800000121-1		.CONNECTOR- (V05617) (J4)	A,P	1

28-22-52

 ILLUSTRATED PARTS LIST  
 01.101 Page 1051  
 Jul 01/03

FIG. & ITEM	PART NO.	AIRLINE PART NUMBER	NOMENCLATURE 1234567	EFF CODE	QTY PER ASSY
01-35	233T3235-6		.BASEPLATE ASSY ATTACHING PARTS	A,P	1
40	NAS514P632-5		.SCREW -----*-----	A,P	3
45	SF6G6CBB5D		..NUT- (V12324) (SPEC BACN10PA06-6)	A,P	3
50	DBMB1400-6A1		..STUD ASSY- (V08524) (SPEC BACS21DD1B)	A,P	4
60	BACP10U0412N		..BASEPLATE	A,P	1
65	BACS12CB06-5		DELETED		
65A	NAS1801-06-5		.SCREW	A,P	3
70	MS35338-41		.WASHER	A,P	3
75	69B46200-11		.STANDOFF	A,P	3
80	JANTX1N5618		.DIODE- (CR1, CR3)	A,P	2
85	HFW1204K01		.RELAY- (V71482) (SPEC BACR13CD2) (OPT BR16S233 (V09026)) (OPT EE4AA005 (V35344)) (OPT 3SAV1338A2 (V01526)) (OPT HFW1206K03 (V58614)) (K1-K4)	A,P	4

28-22-52

 ILLUSTRATED PARTS LIST  
 01.101 Page 1052  
 Jul 01/03

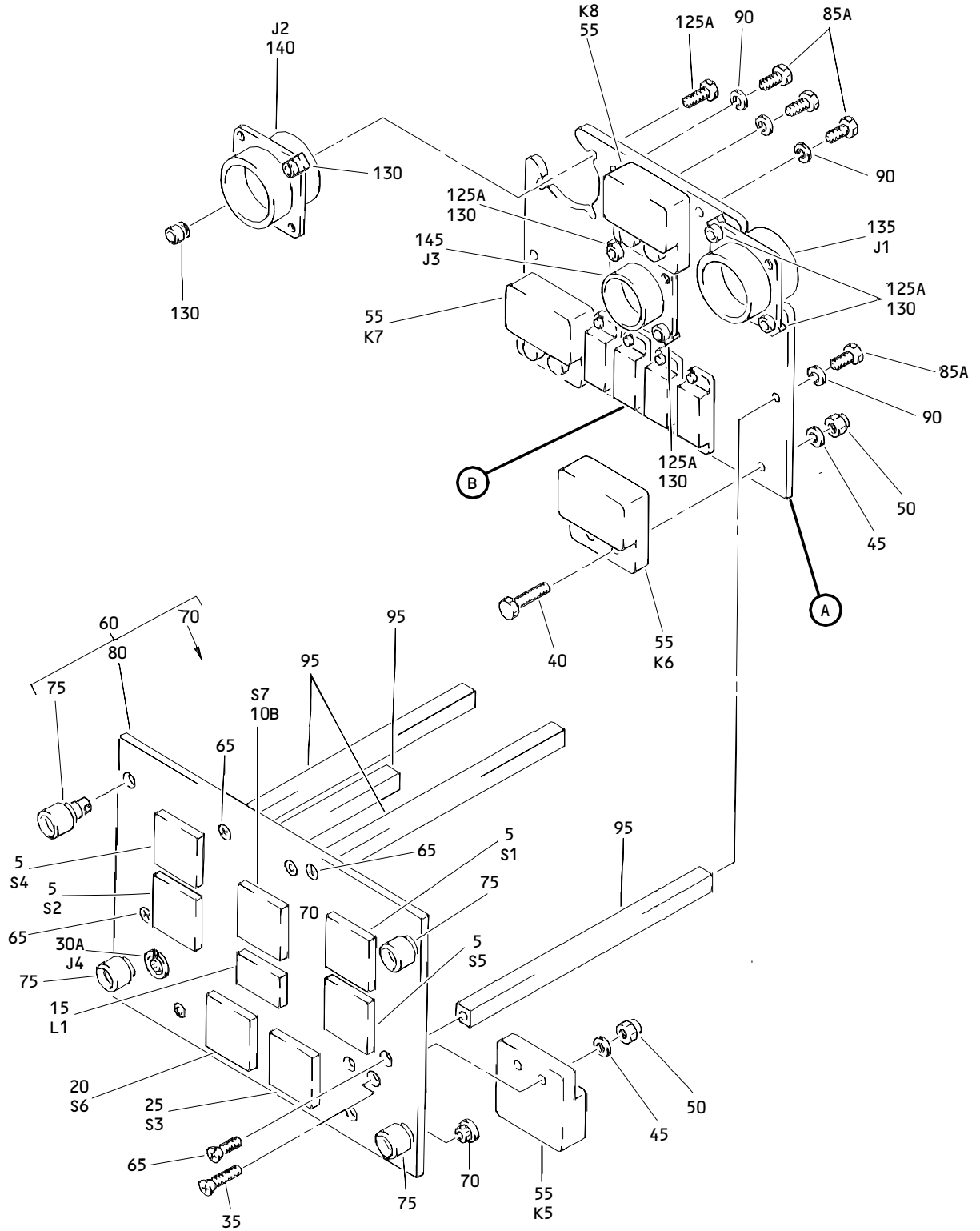

**BOEING**  
 COMPONENT  
 MAINTENANCE MANUAL

FIG. & ITEM	PART NO.	AIRLINE PART NUMBER	NOMENCLATURE 1234567	EFF CODE	QTY PER ASSY
01-90	HRTS17KM		. SOCKET- (V91663) (XK1-XK4)	A,P	4
95	BACS12CB04-5		DELETED		
95A	NAS1801-04-5		. SCREW	A,P	6
100	K19798-04		. NUT- (V15653) (SPEC BACN10NW1) (OPT RMA4812-160-40 (V72962)) (OPT 293162 (V60119))	A,P	6
105	BACC45FN18-31P7		. CONNECTOR- (J1)	A,P	1
110	BACC45FN18-31P8		. CONNECTOR- (J2)	A,P	1
115	BACC45FN16-24P7		. CONNECTOR (J3)	A,P	1
120	4443B9		. TERMINAL- (V88245) (T1-T6)	A,P	6
125	233T6200-76		. BRACKET-SPRT	A,P	1
-130	233T3235-3		. WIRE BUNDLE ASSY	A,P	1
-135	M39029-1-16-20		. CONTACT	A,P	85

28-22-52

 ILLUSTRATED PARTS LIST  
 01.101 Page 1053  
 Jul 01/03

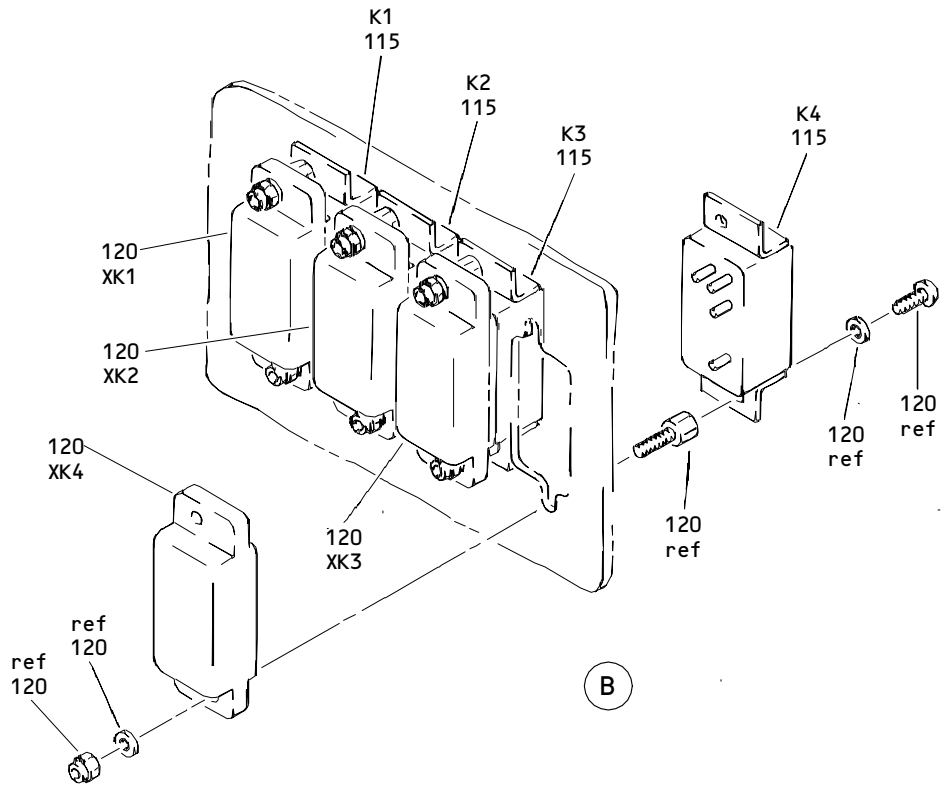
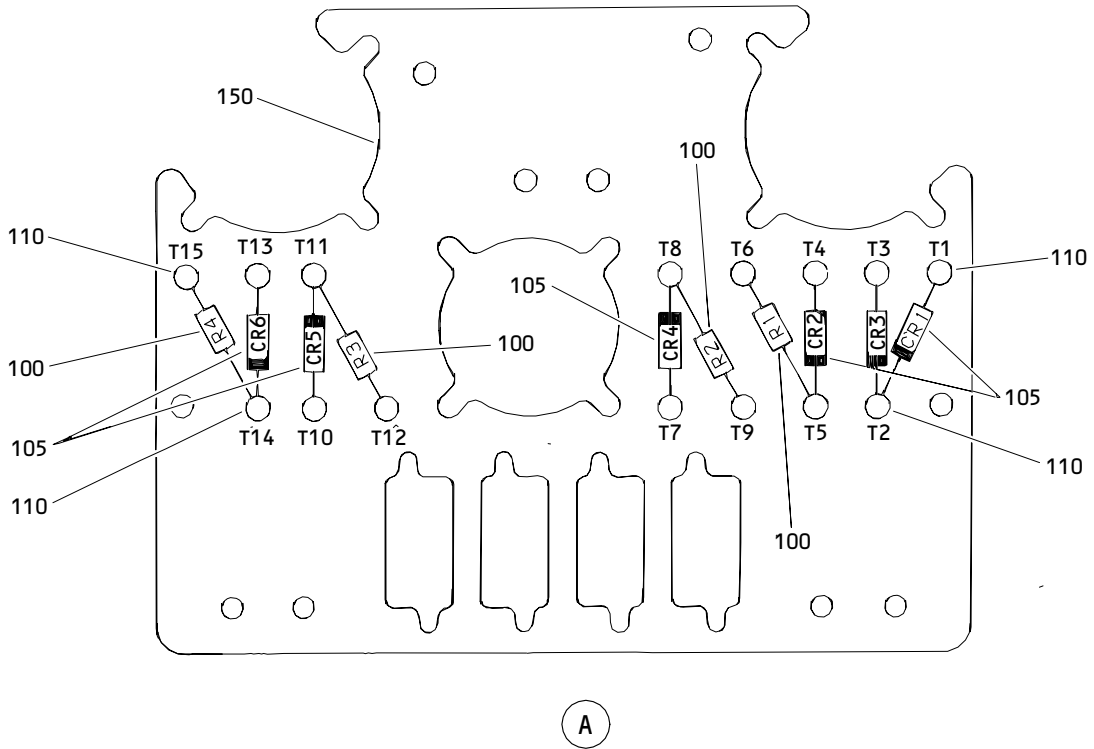
**BOEING**  
**COMPONENT  
 MAINTENANCE MANUAL**



M1005 Fuel Control Panel Assembly  
 Figure 2 (Sheet 1)

**28-22-52**

ILLUSTRATED PARTS LIST  
 01.101 Page 1055  
 Jul 01/03



M10055 Fuel Control Panel Assembly  
 Figure 2 (Sheet 2)

**28-22-52**

ILLUSTRATED PARTS LIST  
 01.101 Page 1056  
 Jul 01/03


**BOEING**  
 COMPONENT  
 MAINTENANCE MANUAL

FIG. & ITEM	PART NO.	AIRLINE PART NUMBER	NOMENCLATURE 1234567	EFF CODE	QTY PER ASSY
02- -1	233T3235-7		PANEL ASSY-M10055 FUEL CONT (PRE SB 233T3235-28-02) (PRE SB 233T3235-28-03) (PRE CSB 233T3235-28-05)	B	RF
-1A	233T3235-10		PANEL ASSY-M10055 FUEL CONT	C	RF
-1B	233T3235-11		PANEL ASSY-M10055 FUEL CONT (POST SB 233T3235-28-02) (POST SB 233T3235-28-03) (PRE CSB 233T3235-28-05)	D	RF
-1C	233T3235-12		PANEL ASSY-M10055 FUEL CONT (PRE CSB 233T3235-28-05)	E	RF
-1D	233T3235-13		PANEL ASSY-M10055 FUEL CONT (PRE CSB 233T3235-28-05)	F	RF
-1E	233T3235-15		PANEL ASSY-M10055 FUEL CONT (PRE CSB 233T3235-28-05)	G	RF
-1F	233T3235-1007		PANEL ASSY-M10055 FUEL CONT (POST CSB 233T3235-28-05)	Q	RF
-1G	233T3235-1010		PANEL ASSY-M10055 FUEL CONT (POST CSB 233T3235-28-05)	R	RF
-1H	233T3235-1011		PANEL ASSY-M10055 FUEL CONT (POST CSB 233T3235-28-05)	S	RF
-1J	233T3235-1012		PANEL ASSY-M10055 FUEL CONT (POST CSB 233T3235-28-05)	T	RF
-1K	233T3235-1013		PANEL ASSY-M10055 FUEL CONT (POST CSB 233T3235-28-05)	U	RF
-1L	233T3235-1015		PANEL ASSY-M10055 FUEL CONT (POST CSB 233T3235-28-05)	V	RF
5	851-30768-2026		.SWITCH-LIGHTED PUSHBUTTON IND (ON/PRESS) (V96182) (S1, S2, S4, S5) (SPEC S231T290-2026)	D,S	4
-5A	851-30768-1026		DELETED		
-5B	851-30768-3026		.SWITCH-LIGHTED PUSHBUTTON IND (ON/PRESS) (V96182) (S1, S2, S4, S5) (SPEC S231T290-3026) (OPT ITEMS 5C, 5L, 5R)	C,E R,T	4

28-22-52

 ILLUSTRATED PARTS LIST  
 01.101 Page 1057  
 Jul 01/03

FIG. & ITEM	PART NO.	AIRLINE PART NUMBER	NOMENCLATURE 1234567	EFF CODE	QTY PER ASSY
02- -5C	BCREF7612		.SWITCH-LIGHTED PUSHBUTTON IND (ON/PRESS) (V81590) (S1, S2, S4, S5) (433-673-1001-1026) (SPEC S231T290-1026) (OPT ITEMS 5B, 5L, 5R)	C,E R,T	4
-5D -5E	S231T290-4026 BCREF7612		DELETED .SWITCH-LIGHTED PUSHBUTTON IND (ON/PRESS) (V81590) (433-673-1001-1026) (S1, S2, S4, S5) (SPEC S231T290-1026) (OPT ITEMS 5F, 5G, 5N, 5S)	B,Q	4
-5F	851-30768-2026		.SWITCH-LIGHTED PUSHBUTTON IND (ON/PRESS) (V96182) (S1, S2, S4, S5) (SPEC S231T290-2026) (OPT ITEMS 5E, 5G, 5N, 5S)	B,Q	4
-5G	851-30768-3026		.SWITCH-LIGHTED PUSHBUTTON IND (ON/PRESS) (V96182) (S1, S2, S4, S5) (SPEC S231T290-3026) (OPT ITEMS 5E, 5F, 5N, 5S)	B,Q	4

28-22-52

 ILLUSTRATED PARTS LIST  
 01.101 Page 1058  
 Jul 01/03


**BOEING**  
 COMPONENT  
 MAINTENANCE MANUAL

FIG. & ITEM	PART NO.	AIRLINE PART NUMBER	NOMENCLATURE 1234567	EFF CODE	QTY PER ASSY
02- -5H	BCREFA0511		.SWITCH-LIGHTED PUSHBUTTON IND (ON/PRESS) (V81590) (433-673-1004-4026) (S1, S2, S4, S5) (SPEC S231T290-4026) (OPT ITEM 5Q)	G,V	4
-5J	BCREFA0511		.SWITCH-LIGHTED PUSHBUTTON IND (ON/PRESS) (V81590) (433-673-1004-4026) (S1, S2, S4, S5) (SPEC S231T290-4026)	F,U	4
-5K -5L	S231T290-5026 BCREFA0511		DELETED .SWITCH-LIGHTED PUSHBUTTON IND (ON/PRESS) (V81590) (433-673-1004-4026) (S1, S2, S4, S5) (SPEC S231T290-4026) (OPT ITEMS 5B, 5C, 5R)	C,E R,T	4
-5M -5N	S231T290-5026 BCREFA0511		DELETED .SWITCH-LIGHTED PUSHBUTTON IND (ON/PRESS) (V81590) (433-673-1004-4026) (S1, S2, S4, S5) (SPEC S231T290-4026) (OPT ITEMS 5E, 5F, 5G, 5S)	B,Q	4
R -5P -5Q	S231T290-5026 851-35100-5026		DELETED .SWITCH-LIGHTED PUSHBUTTON IND (ON/PRESS) (V96182) (S1, S2, S4, S5) (SPEC S231T290-5026) (OPT ITEM 5H)	G,V	4

28-22-52

 ILLUSTRATED PARTS LIST  
 01.101 Page 1059  
 Jul 01/03



FIG. & ITEM	PART NO.	AIRLINE PART NUMBER	NOMENCLATURE 1234567	EFF CODE	QTY PER ASSY
R 02- -5R	851-35100-5026		.SWITCH-LIGHTED PUSHBUTTON IND (ON/PRESS) (V96182) (S1, S2, S4, S5) (SPEC S231T290-5026) (OPT ITEMS 5B, 5C, 5L)	C,E R,T	4
R -5S	851-35100-5026		.SWITCH-LIGHTED PUSHBUTTON IND (ON/PRESS) (V96182) (S1, S2, S4, S5) (SPEC S231T290-5026) (OPT ITEMS 5E, 5F, 5G, 5N)	B,Q	4
10	851-30768-2038		DELETED		
-10A	851-30768-1038		DELETED		
10B	851-30768-3038		.SWITCH-LIGHTED PUSHBUTTON IND (VALVE) (V96182) (S7) (SPEC S231T290-3038) (OPT ITEMS 10C, 10L, 10R) (POST SB 233T3235-28-03)	C-E	1
-10C	BCREF7617		.SWITCH-LIGHTED PUSHBUTTON IND (VALVE) (V81590) (S7) (433-673-1001-1038) (SPEC S231T290-1038) (OPT ITEMS 10B, 10L 10R) (POST SB 233T3235-28-03)	C-E	1
-10D	S231T290-4038		DELETED		
-10E	BCREF7617		.SWITCH-LIGHTED PUSHBUTTON IND (VALVE) (V81590) (433-673-1001-1038) (S7) (SPEC S231T290-1038) (OPT ITEMS 10F, 10G, 10N, 10S)	B	1

28-22-52

 ILLUSTRATED PARTS LIST  
 01.101 Page 1060  
 Jul 01/03


**BOEING**  
 COMPONENT  
 MAINTENANCE MANUAL

FIG. & ITEM	PART NO.	AIRLINE PART NUMBER	NOMENCLATURE 1234567	EFF CODE	QTY PER ASSY
02- -10F	851-30768-2038		.SWITCH-LIGHTED PUSHBUTTON IND (VALVE) (V96182) (S7) (SPEC S231T290-2038) (OPT ITEMS 10E, 10G, 10N, 10S)	B	1
-10G	851-30768-3038		.SWITCH-LIGHTED PUSHBUTTON IND (VALVE) (V96182) (S7) (SPEC S231T290-3038) (OPT ITEMS 10E, 10F, 10N, 10S)	B	1
-10H	BCREFA0517		.SWITCH-LIGHTED PUSHBUTTON IND (VALVE) (V81590) (433-673-1004-4038) (S7) (SPEC S231T290-4038) (OPT ITEM 10Q)	G	1
-10J	BCREFA0517		.SWITCH-LIGHTED PUSHBUTTON IND (VALVE) (V81590) (433-673-1004-4038) (S7) (SPEC S231T290-4038)	F	1
-10K	S231T290-5038		DELETED		
-10L	BCREFA0517		.SWITCH-LIGHTED PUSHBUTTON IND (ON/PRESS) (V81590) (433-673-1004-4038) (S7) (SPEC S231T290-4038) (OPT ITEMS 10B, 10C, 10R)	C,E	1
-10M	S231T290-5038		DELETED		
-10N	BCREFA0517		.SWITCH-LIGHTED PUSHBUTTON IND (ON/PRESS) (V81590) (433-673-1004-4038) (S7) (SPEC S231T290-4038) (OPT ITEMS 10E, 10F, 10G, 10S)	B	1

28-22-52

 ILLUSTRATED PARTS LIST  
 01.101 Page 1061  
 Jul 01/03

FIG. & ITEM	PART NO.	AIRLINE PART NUMBER	NOMENCLATURE 1234567	EFF CODE	QTY PER ASSY
R 02- -10P -10Q	S231T290-5038 851-35100-5038		DELETED .SWITCH-LIGHTED PUSHBUTTON IND (VALVE) (V96182) (S7) (SPEC S231T290-5038) (OPT ITEM 10H)	G	1
R -10R	851-35100-5038		.SWITCH-LIGHTED PUSHBUTTON IND (ON/PRESS) (V96182) (S7) (SPEC S231T290-5038) (OPT ITEMS 10B, 10C, 10L)	C,E	1
R -10S	851-35100-5038		.SWITCH-LIGHTED PUSHBUTTON IND (ON/PRESS) (V96182) (S7) (SPEC S231T290-5038) (OPT ITEMS 10E, 10F, 10G, 10N)	B	1
-11	BCREF7617		.SWITCH-LIGHTED PUSHBUTTON IND (V81590) (433-673-1001-1038) (S7) (SPEC S231T290-1038) (USE WITH CONFIGURATION "D" MASTER MODULE. SEE REPAIR FOR ADDITIONAL INFORMATION) (OPT ITEMS 11A,11B)	Q	1

28-22-52

 ILLUSTRATED PARTS LIST  
 01.101 Page 1062  
 Jul 01/03


**BOEING**  
 COMPONENT  
 MAINTENANCE MANUAL

FIG. & ITEM	PART NO.	AIRLINE PART NUMBER	NOMENCLATURE 1234567	EFF CODE	QTY PER ASSY
02- -11A	851-30768-2038		.SWITCH-LIGHTED PUSHBUTTON IND (V96182) (S7) (SPEC S231T290-2038) (OPT ITEMS 11,11B)	Q	1
-11B	851-30768-3038		.SWITCH-LIGHTED PUSHBUTTON IND (V96182) (S7) (SPEC S231T290-1038) (OPT ITEMS 11,11A)	Q	1
-11C	BCREF7617		.SWITCH-LIGHTED PUSHBUTTON IND (V81590) (433-673-1001-1038) (S7) (SPEC S231T290-1038) (USE WITH CONFIGURATION "D" MASTER MODULE. SEE REPAIR FOR ADDITIONAL INFORMATION) (OPT ITEMS 11D,11E,11F, 11G)	R,T	1
-11D	851-30768-2038		.SWITCH-LIGHTED PUSHBUTTON IND (V96182) (S7) (SPEC S231T290-2038) (OPT ITEMS 11C,11E,11F, 11G)	R,T	1
-11E	851-30768-3038		.SWITCH-LIGHTED PUSHBUTTON IND (V96182) (S7) (SPEC S231T290-3038) (OPT ITEM 5D) (OPT ITEMS 11C,11D,11F, 11G)	R,T	1

28-22-52

 ILLUSTRATED PARTS LIST  
 01.101 Page 1063  
 Jul 01/03

**COMPONENT  
MAINTENANCE MANUAL**

FIG. & ITEM	PART NO.	AIRLINE PART NUMBER	NOMENCLATURE 1234567	EFF CODE	QTY PER ASSY
02- -11F	BCREFA0517		.SWITCH-LIGHTED PUSHBUTTON IND (V81590) (433-673-1004-4038) (S7) (SPEC S231T290-4038) (USE WITH CONFIGURATION "D" MASTER MODULE. SEE REPAIR FOR ADDITIONAL INFORMATION) (OPT ITEMS 11C,11D,11E, 11G)	R,T	1
-11G	851-35100-5038		.SWITCH-LIGHTED PUSHBUTTON IND (V96182) (S7) (SPEC S231T290-5038) (OPT ITEMS 11C,11D,11E, 11F)	R,T	1
-11H	BCREF7617		.SWITCH-LIGHTED PUSHBUTTON IND (V81590) (433-673-1001-1038) (S7) (SPEC S231T290-1038) (USE WITH CONFIGURATION "D" MASTER MODULE. SEE REPAIR FOR ADDITIONAL INFORMATION)	S	1
-11J	851-30768-3038		.SWITCH-LIGHTED PUSHBUTTON IND (V96182) (S7) (SPEC S231T290-3038) (OPT ITEM 11H)	S	1
-11K	BCREFA0517		.SWITCH-LIGHTED PUSHBUTTON IND (V81590) (433-673-1004-4038) (S7) (SPEC S231T290-4038) (USE WITH CONFIGURATION "D" MASTER MODULE. SEE REPAIR FOR ADDITIONAL INFORMATION)	U	1

# 28-22-52

ILLUSTRATED PARTS LIST

01.101

Page 1064

Jul 01/03


**BOEING**  
 COMPONENT  
 MAINTENANCE MANUAL

FIG. & ITEM	PART NO.	AIRLINE PART NUMBER	NOMENCLATURE 1234567	EFF CODE	QTY PER ASSY
02- -11L	BCREFA0517		.SWITCH-LIGHTED PUSHBUTTON IND (V81590) (433-673-1004-4038) (S7) (SPEC S231T290-4038) (USE WITH CONFIGURATION "D" MASTER MODULE. SEE REPAIR FOR ADDITIONAL INFORMATION) (OPT ITEM 11M)	V	1
-11M	851-35100-5038		.SWITCH-LIGHTED PUSHBUTTON IND (V96182) (S7) (SPEC S231T290-5038) (OPT ITEM 11L)	V	1
15	BCREF6367		.LIGHT ASSY-UNBALANCED IND (V81590) (434-674-1005-1293) (L1) (SPEC S231T300-1293) (OPT ITEM 15A)	B-G Q-V	1
-15A	BCREF8595		.LIGHT ASSY-UNBALANCED IND (V81590) (434-674-1031-2293) (L1) (SPEC S231T300-2293) (OPT ITEM 15)	B-G Q-V	1

28-22-52

 ILLUSTRATED PARTS LIST  
 01.101 Page 1065  
 Jul 01/03

**COMPONENT  
MAINTENANCE MANUAL**

FIG. & ITEM	PART NO.	AIRLINE PART NUMBER	NOMENCLATURE 1234567	EFF CODE	QTY PER ASSY
02-					
-15B	BCREF8595		DELETED		
-15C	BCREF6367		DELETED		
-15D	BCREF6367		DELETED		
15E	BCREF8595		DELETED		
20	851-30768-2021		.SWITCH-LIGHTED PUSHBUTTON IND (ON/PRESS) (V96182) (S6) (SPEC S231T290-2021)	D,S	1
-20A	851-30768-1021		DELETED		
-20B	851-30768-3021		.SWITCH-LIGHTED PUSHBUTTON IND (ON/PRESS) (V96182) (S6) (SPEC S231T290-3021) (OPT ITEMS 20C, 20L, 20R)	C,E R,T	1
-20C	BCREF7609		.SWITCH-LIGHTED PUSHBUTTON IND (ON/PRESS) (V81590) (S6) (433-673-1001-1021) (SPEC S231T290-1021) (OPT ITEMS 20B, 20L, 20R)	C,E R,T	1
-20D	S231T290-4021		DELETED		
-20E	BCREF7609		.SWITCH-LIGHTED PUSHBUTTON IND (ON/PRESS) (V81590) (433-673-1001-1021) (S6) (SPEC S231T290-1021) (OPT ITEMS 20F, 20G, 20N, 20S)	B,Q	1

# 28-22-52

ILLUSTRATED PARTS LIST

01.101

Page 1066

Jul 01/03


**BOEING**  
 COMPONENT  
 MAINTENANCE MANUAL

FIG. & ITEM	PART NO.	AIRLINE PART NUMBER	NOMENCLATURE 1234567	EFF CODE	QTY PER ASSY
02- -20F	851-30768-2021		.SWITCH-LIGHTED PUSHBUTTON IND (ON/PRESS) (V96182) (S6) (SPEC S231T290-2021) (OPT ITEMS 20E, 20G, 20N, 20S)	B,Q	1
-20G	851-30768-3021		.SWITCH-LIGHTED PUSHBUTTON IND (ON/PRESS) (V96182) (S6) (SPEC S231T290-3021) (OPT ITEMS 20E, 20F, 20N, 20S)	B,Q	1
-20H	BCREFA0508		.SWITCH-LIGHTED PUSHBUTTON IND (ON/PRESS) (V81590) (433-673-1004-4021) (S6) (SPEC S231T290-4021) (OPT ITEM 20Q)	G,V	1
-20J	BCREFA0508		.SWITCH-LIGHTED PUSHBUTTON IND (ON/PRESS) (V81590) (433-673-1004-4021) (S6) (SPEC S231T290-4021)	F,U	1
-20K -20L	S231T290-5021 BCREFA0508		DELETED .SWITCH-LIGHTED PUSHBUTTON IND (ON/PRESS) (V81590) (433-673-1004-4021) (S6) (SPEC S231T290-4021) (OPT ITEMS 20B, 20C, 20R)	C,E R,T	1

28-22-52

 ILLUSTRATED PARTS LIST  
 01.101 Page 1067  
 Jul 01/03



FIG. & ITEM	PART NO.	AIRLINE PART NUMBER	NOMENCLATURE 1234567	EFF CODE	QTY PER ASSY
02- -20M -20N	S231T290-5021 BCREFA0508		DELETED .SWITCH-LIGHTED PUSHBUTTON IND (ON/PRESS) (V81590) (433-673-1004-4021) (S6) (SPEC S231T290-4021) (OPT ITEMS 20E, 20F, 20G, 20S)	B,Q	1
R -20P -20Q	S231T290-5021 851-35100-5021		DELETED .SWITCH-LIGHTED PUSHBUTTON IND (ON/PRESS) (V96182) (S6) (SPEC S231T290-5021) (OPT ITEM 20H)	G,V	1
R -20R	851-35100-5021		.SWITCH-LIGHTED PUSHBUTTON IND (ON/PRESS) (V96182) (S6) (SPEC S231T290-5021) (OPT ITEMS 20B, 20C, 20L)	C,E R,T	1
R -20S	851-35100-5021		.SWITCH-LIGHTED PUSHBUTTON IND (ON/PRESS) (V96182) (S6) (SPEC S231T290-5021) (OPT ITEMS 20E, 20F, 20G, 20N)	B,Q	1

28-22-52

 ILLUSTRATED PARTS LIST  
 01.101 Page 1068  
 Jul 01/03

**BOEING**  
 COMPONENT  
 MAINTENANCE MANUAL

FIG. & ITEM	PART NO.	AIRLINE PART NUMBER	NOMENCLATURE 1234567	EFF CODE	QTY PER ASSY
02-25	851-30768-2022		.SWITCH-LIGHTED PUSHBUTTON IND (ON/PRESS) (V96182) (S3) (SPEC S231T290-2022)	D,S	1
-25A	851-30768-1022		DELETED		
-25B	851-30768-3022		.SWITCH-LIGHTED PUSHBUTTON IND (ON/PRESS) (V96182) (S3) (SPEC S231T290-3022) (OPT ITEMS 25C, 25L, 25R)	C,E R,T	1
-25C	BCREF7610		.SWITCH-LIGHTED PUSHBUTTON IND (ON/PRESS) (V81590) (S3) (433-673-1001-1022) (SPEC S231T290-1022) (OPT ITEMS 25B, 25L, 25R)	C,E R,T	1
-25D	S231T290-4022		DELETED		
-25E	BCREF7610		.SWITCH-LIGHTED PUSHBUTTON IND (ON/PRESS) (V81590) (433-673-1001-1022) (S3) (SPEC S231T290-1022) (OPT ITEMS 25F, 25G)	B,Q	1
-25F	851-30768-2022		.SWITCH-LIGHTED PUSHBUTTON IND (ON/PRESS) (V96182) (S3) (SPEC S231T290-2022) (OPT ITEMS 25E, 25G)	B,Q	1
-25G	851-30768-3022		.SWITCH-LIGHTED PUSHBUTTON IND (ON/PRESS) (V96182) (S3) (SPEC S231T290-3022) (OPT ITEMS 25E, 25F)	B,Q	1

**28-22-52**

ILLUSTRATED PARTS LIST  
 01.101 Page 1069  
 Jul 01/03



COMPONENT  
MAINTENANCE MANUAL

FIG. & ITEM	PART NO.	AIRLINE PART NUMBER	NOMENCLATURE 1234567	EFF CODE	QTY PER ASSY
02- -25H	BCREFA0509		.SWITCH-LIGHTED PUSHBUTTON IND (ON/PRESS) (V81590) (433-673-1004-4022) (S3) (SPEC S231T290-4022) (OPT ITEM 25Q)	G,V	1
-25J	BCREFA0509		.SWITCH-LIGHTED PUSHBUTTON IND (ON/PRESS) (V81590) (433-673-1004-4022) (S3) (SPEC S231T290-4022)	F,U	1
-25K -25L	S231T290-5022 BCREFA0509		DELETED .SWITCH-LIGHTED PUSHBUTTON IND (ON/PRESS) (V81590) (433-673-1004-4022) (S3) (SPEC S231T290-4022) (OPT ITEMS 25B, 25C, 25R)	C,E R,T	1
-25M -25N	S231T290-5022 BCREFA0509		DELETED .SWITCH-LIGHTED PUSHBUTTON IND (ON/PRESS) (V81590) (433-673-1004-4022) (S3) (SPEC S231T290-4022) (OPT ITEMS 25E, 25F, 25G, 25S)	B,Q	1
R -25P -25Q	S231T290-5022 851-35100-5022		DELETED .SWITCH-LIGHTED PUSHBUTTON IND (ON/PRESS) (V96182) (S3) (SPEC S231T290-5022) (OPT ITEM 25H)	G,V	1
R -25R	851-35100-5022		.SWITCH-LIGHTED PUSHBUTTON IND (ON/PRESS) (V96182) (S3) (SPEC S231T290-5022) (OPT ITEMS 25B, 25C, 25L)	C,E R,T	1

28-22-52


**BOEING**  
 COMPONENT  
 MAINTENANCE MANUAL

FIG. & ITEM	PART NO.	AIRLINE PART NUMBER	NOMENCLATURE 1234567	EFF CODE	QTY PER ASSY
R 02- -25S	851-35100-5022		.SWITCH-LIGHTED PUSHBUTTON IND (ON/PRESS) (V96182) (S3) (SPEC S231T290-5022) (OPT ITEMS 25E, 25F, 25G, 25N)	B,Q	1
30	800-000121-1		DELETED		
30A	800000121-1		.CONNECTOR- (V05617) (J4)	B-G Q-V	1
35	NAS514P632-14		.SCREW	B-G Q-V	2
40	NAS1801-06-14		.SCREW	B-G Q-V	6
45	NAS620-6L		.WASHER	B-G Q-V	8
50	H10-06BAC		.NUT- (V15653) (SPEC BACN10JC06) (OPT RMLH9075-62W (V72962)) (OPT T6S632J (V11815)) (OPT VN303A62 (V92215)) (OPT 96-62 (V80539)) (OPT BRH10A06 (OPT BRH10A06 (V52828))	B-G Q-V	8
R 55	10167-10BT		.TIMER- (V08719) (K5-K8) (OPT ITEM 55A)	B-G Q-V	4
-55A	10167-1002BT		.TIMER- (V08719) (K5-K8) (OPT ITEM 55)	B-G Q-V	4

28-22-52

 ILLUSTRATED PARTS LIST  
 01.101 Page 1071  
 Jul 01/03

FIG. & ITEM	PART NO.	AIRLINE PART NUMBER	NOMENCLATURE 1234567	EFF CODE	QTY PER ASSY
02-60	233T3235-8		.BASEPLATE ASSY ATTACHING PARTS	B-G Q-V	1
65	NAS514P632-5		.SCREW -----*-----	B-G Q-V	4
70	SF6G6CBB5D		..NUT- (V12324) (SPEC BACN10PA06-6)	B-G Q-V	3
75	DBMB1400-6A1		..STUD ASSY- (V08524) (SPEC BACS21DD1B)	B-G Q-V	4
80	BACP10U0412N		..BASEPLATE	B-G Q-V	1
85 85A	BACS12CB06-5 NAS1801-06-5		DELETED .SCREW	B-G Q-V	4
90	MS35338-41		.WASHER	B-G Q-V	4
95	69B46200-13		.STANDOFF- (OPT ITEM 95A)	B-G Q-V	4
-95A	69B46200-11		.STANDOFF- (OPT ITEM 95)	B-G Q-V	4
100	RLR32C2201GR		.RESISTOR-2.2K, 2 PCT, 1W (R1-R4)	B-G Q-V	4
105	JANTX1N5618		.DIODE- (CR1-CR6)	B-G Q-V	6
110	4443B9		.TERMINAL- (V88245) (T1-T15)	B-G Q-V	15
115	HFW1204K01		.RELAY- (V71482) (SPEC BACR13CD2) (OPT BR16S233 (V09026)) (OPT EE4AA005 (V35344)) (OPT 3SAV1338A2 (V01526)) (OPT HFW1206K03 (V58614)) (K1-K4)	B-G Q-V	4

28-22-52

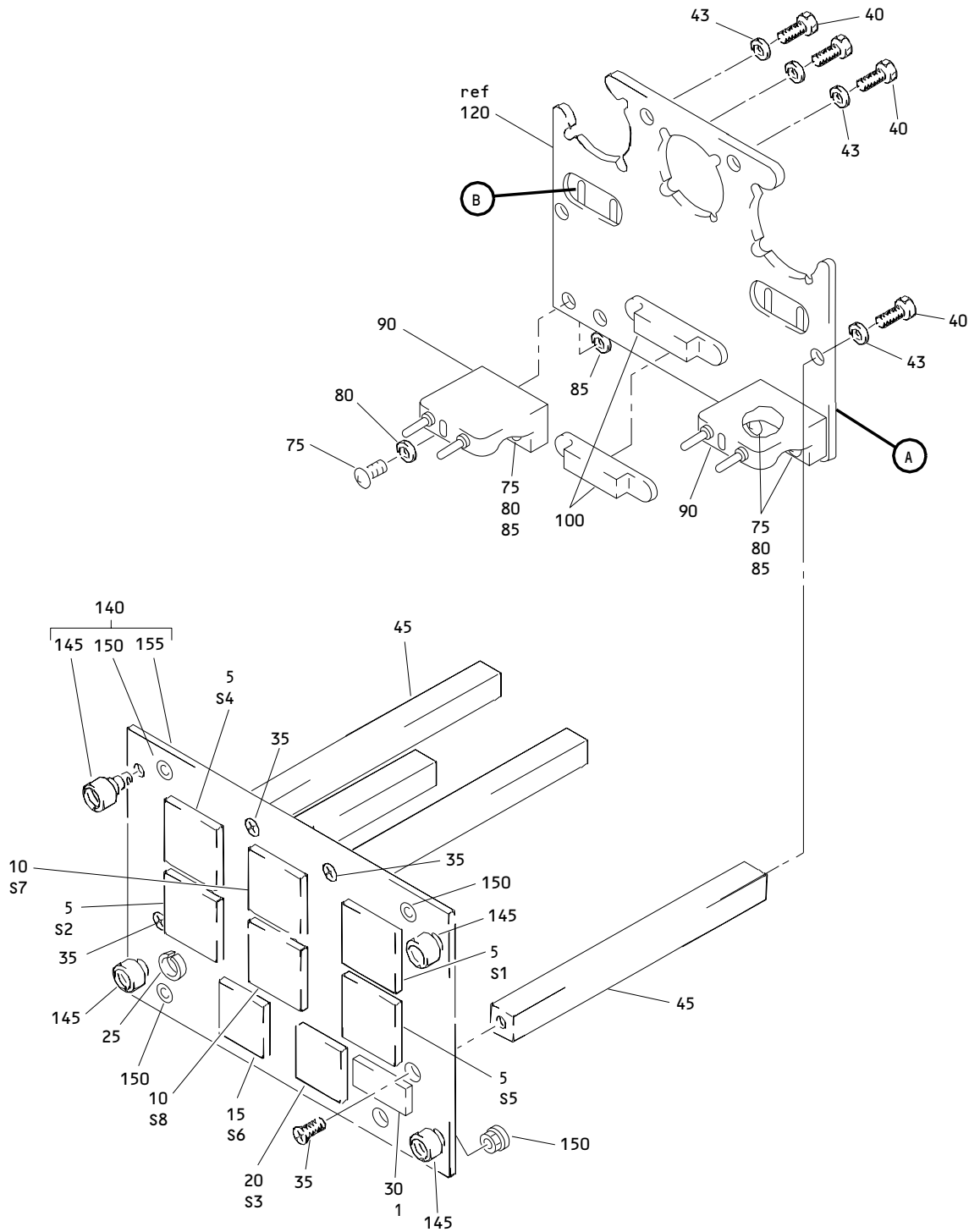
 ILLUSTRATED PARTS LIST  
 01.101 Page 1072  
 Jul 01/03


**BOEING**  
 COMPONENT  
 MAINTENANCE MANUAL

FIG. & ITEM	PART NO.	AIRLINE PART NUMBER	NOMENCLATURE 1234567	EFF CODE	QTY PER ASSY
02-120	HRTS17KM		. SOCKET- (V91663) (XK1-XK4)	B-G Q-V	4
125	BACS12CB04-5		DELETED		
125A	NAS1801-04-5		. SCREW	B-G Q-V	6
130	K19798-04		. NUT- (V15653) (SPEC BACN10NW1) (OPT RMA4812-160-40 (V72962)) (OPT 293162 (V60119))	B-G Q-V	6
135	BACC45FN18-31P7		. CONNECTOR- (J1)	B-G Q-V	1
140	BACC45FN18-31P8		. CONNECTOR- (J2)	B-G Q-V	1
145	BACC45FN16-24P7		. CONNECTOR- (J3)	B-G Q-V	1
150	233T6200-93		. BRACKET-SPRT (OPT ITEM 150A)	B-G Q-V	1
-150A	233T6200-92		. BRACKET-SPRT (OPT ITEM 150)	B-G Q-V	1
-155	233T6200-92		DELETED		
-160	233T3235-9		. WIRE BUNDLE ASSY	B-G Q-V	1
-165	M39029-1-16-20		. . CONTACT	B-G Q-V	93

28-22-52

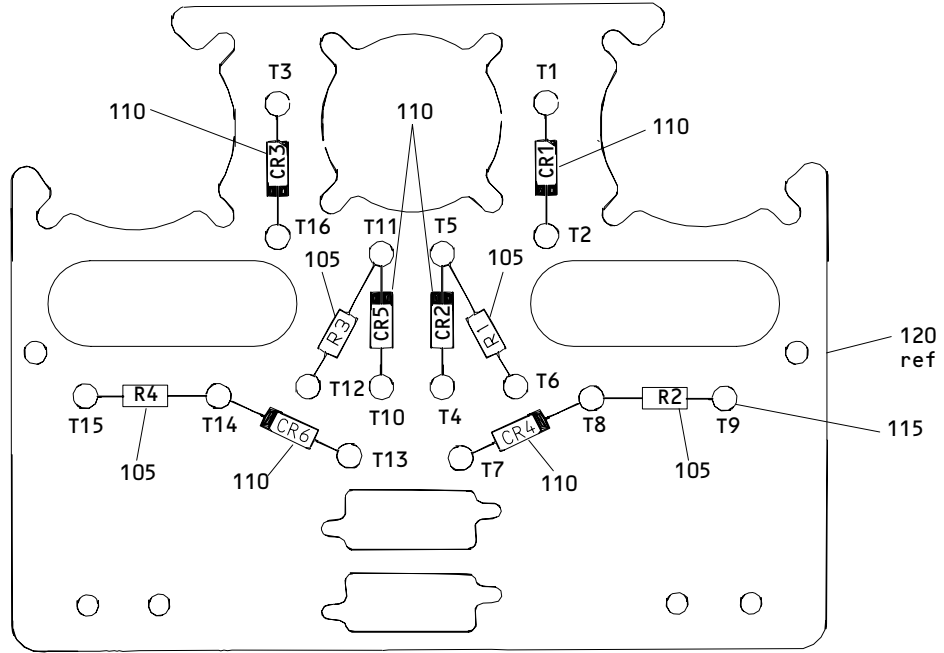
 ILLUSTRATED PARTS LIST  
 01.101 Page 1073  
 Jul 01/03



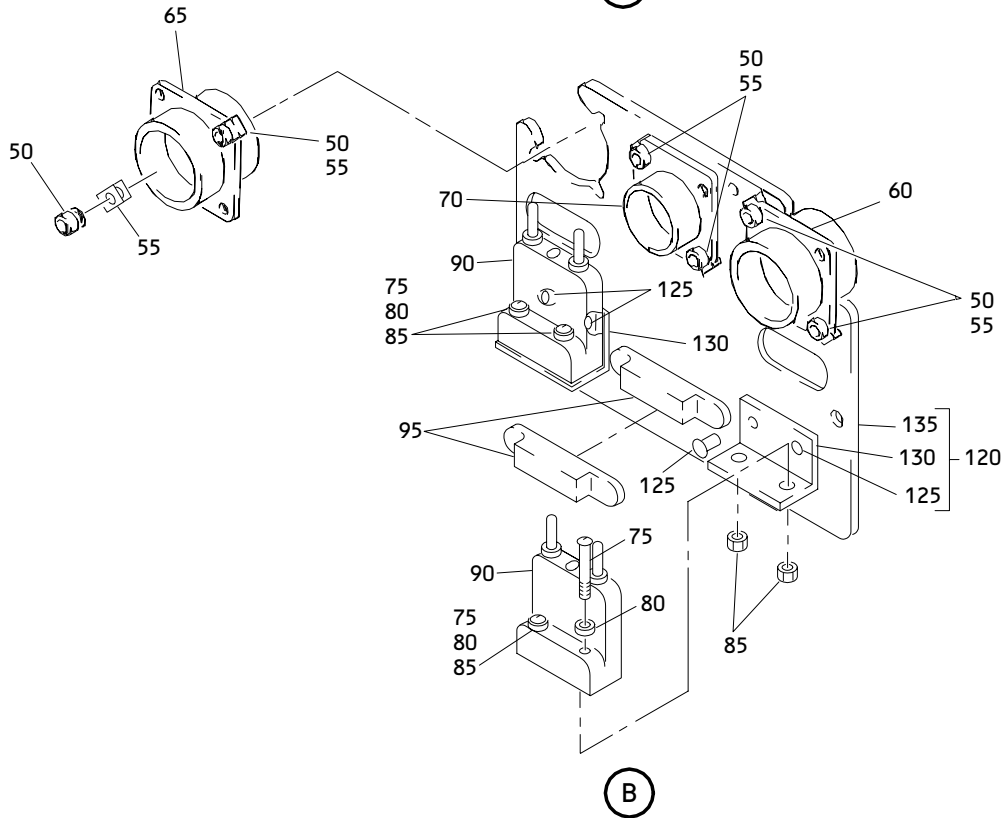
M1005 Fuel Control Panel Assembly  
 Figure 3 (Sheet 1)

**28-22-52**

ILLUSTRATED PARTS LIST  
 01.101 Page 1075  
 Jul 01/03



(A)



(B)

M10055 Fuel Control Panel Assembly  
 Figure 3 (Sheet 2)

**28-22-52**

ILLUSTRATED PARTS LIST  
 01.101 Page 1076  
 Jul 01/03



**BOEING**  
 COMPONENT  
 MAINTENANCE MANUAL

FIG. & ITEM	PART NO.	AIRLINE PART NUMBER	NOMENCLATURE 1234567	EFF CODE	QTY PER ASSY
03-					
-1	233T3235-17		PANEL ASSY-M10055 FUEL CONT	H	RF
-1A	233T3235-20		PANEL ASSY-M10055 FUEL CONT	J	RF
-1B	233T3235-21		PANEL ASSY-M10055 FUEL CONT	K	RF
-1C	233T3235-23		PANEL ASSY-M10055 FUEL CONT	L	RF
5	BCREFA0511		.SWITCH-LIGHTED PUSHBUTTON IND (ON/PRESS) (V81590) (433-673-1004-4026) (S1, S2, S4, S5) (SPEC S231T290-4026) (OPT ITEM 5D)	H,K	4
-5A	S231T290-5026		DELETED		
-5C	BCREFA0511		.SWITCH-LIGHTED PUSHBUTTON IND (ON/PRESS) (V81590) (433-673-1004-4026) (S1, S2, S4, S5) (SPEC S231T290-4026)	J,L	4
R -5D	851-35100-5026		.SWITCH-LIGHTED PUSHBUTTON IND (ON/PRESS) (V96182) (S1, S2, S4, S5) (SPEC S231T290-5026) (OPT ITEM 5)	H,K	4
10	BCREFA0517		.SWITCH-LIGHTED PUSHBUTTON IND (VALVE) (V81590) (433-673-1004-4038) (S7, S8) (SPEC S231T290-4038) (OPT ITEM 10C)	H,K	2
-10A	S231T290-5038		DELETED		
-10B	BCREFA0517		.SWITCH-LIGHTED PUSHBUTTON IND (VALVE) (V81590) (433-673-1004-4038) (S7, S8) (SPEC S231T290-4038)	J,L	2
R -10C	851-35100-5038		.SWITCH-LIGHTED PUSHBUTTON IND (VALVE) (V96182) (S7, S8) (SPEC S231T290-5038) (OPT ITEM 10)	H,K	2

**28-22-52**

ILLUSTRATED PARTS LIST  
 01.101 Page 1077  
 Jul 01/03

FIG. & ITEM	PART NO.	AIRLINE PART NUMBER	NOMENCLATURE 1234567	EFF CODE	QTY PER ASSY
03-15	BCREFA0508		.SWITCH-LIGHTED PUSHBUTTON IND (ON/PRESS) (V81590) (433-673-1004-4021) (S6) (SPEC S231T290-4021) (OPT ITEM 15C)	H,K	1
-15A	S231T290-5021		DELETED		
-15B	BCREFA0508		.SWITCH-LIGHTED PUSHBUTTON IND (ON/PRESS) (V81590) (433-673-1004-4021) (S6) (SPEC S231T290-4021)	J,L	1
R -15C	851-35100-5021		.SWITCH-LIGHTED PUSHBUTTON IND (ON/PRESS) (V96182) (S6) (SPEC S231T290-5021) (OPT ITEM 15)	H,K	1
20	BCREFA0509		.SWITCH-LIGHTED PUSHBUTTON IND (ON/PRESS) (V81590) (433-673-1004-4022) (S3) (SPEC S231T290-4022) (OPT ITEM 20C)	H,K	1
-20A	S231T290-5022		DELETED		
-20B	BCREFA0509		.SWITCH-LIGHTED PUSHBUTTON IND (ON/PRESS) (V81590) (433-673-1004-4022) (S3) (SPEC S231T290-4022)	J,L	1
R -20C	851-35100-5022		.SWITCH-LIGHTED PUSHBUTTON IND (ON/PRESS) (V96182) (S3) (SPEC S231T290-5022) (OPT ITEM 20)	H,K	1
25	800000121-1		.CONNECTOR- (V05617) (J4)	H-L	1

28-22-52

**BOEING**  
 COMPONENT  
 MAINTENANCE MANUAL

FIG. & ITEM	PART NO.	AIRLINE PART NUMBER	NOMENCLATURE 1234567	EFF CODE	QTY PER ASSY
R 03-30	BCREF8595		.LIGHT ASSY-UNBALANCED IND (V81590) (434-674-1031-2293) (L1) (SPEC S231T300-2293)	H-L	1
35	NAS514P632-5P		.SCREW	H-L	4
40	NAS1801-06-5		.SCREW	H-L	4
43	MS35338-41		.WASHER	H-L	4
45	69B46200-11		.STANDOFF	H-L	4
50	NAS1801-04-5		.SCREW	H-L	6
55	K19798-04		.NUT- (V15653) (SPEC BACN10NW1) (OPT RMA4812-160-40 (V72962)) (OPT 293162 (V60119))	H-L	6
60	BACC45FN18-31P7		.CONNECTOR- (J1)	H-L	1
65	BACC45FN18-31P8		.CONNECTOR- (J2)	H-L	1
70	BACC45FN16-24P7		.CONNECTOR- (J3)	H-L	1
75	NAS1801-06-14		.SCREW	H-L	8
80	NAS620-6L		.WASHER	H-L	8
85	H10-06BAC		.NUT- (V15653) (SPEC BACN10JC06) (OPT RMLH9075-62W (V72962)) (OPT T6S632J (V11815)) (OPT VN303A62 (V92215)) (OPT 96-62 (V80539)) (OPT BRH10A06 (V52828)) (OPT NS202101-62 (V80539))	H-L	8

**28-22-52**

ILLUSTRATED PARTS LIST  
 01.101 Page 1079  
 Jul 01/03

FIG. & ITEM	PART NO.	AIRLINE PART NUMBER	NOMENCLATURE 1234567	EFF CODE	QTY PER ASSY
03-90	10167-1002BT		.TIMER- (V08719) (OPT ITEMS 90A,90B,90C) (K5-K8)	H-L	4
-90A	TD1982-1002BT		.TIMER- (V58657) (OPT ITEMS 90,90B,90C) (K5-K8)	H-L	4
-90B	530750-1002		.TIMER- (V08719) (OPT ITEMS 90,90A,90C) (K5-K8)	H-L	4
-90C	TD1982-1002		.TIMER- (V58657) (OPT ITEMS 90,90A,90B) (K5-K8)	H-L	4
95	HFW1204K01		.RELAY- (V71482) (SPEC BACR13CD2) (OPT BR16S233 (V09026)) (OPT EE4AA005 (V35344)) (OPT 3SAV1338A2 (V01526)) (OPT HFW1206K03 (V58614)) (K2, K4)	H-L	2
100	451120-026		.SOCKET- (V03743) (SPEC BACS16AG1) (XK2, XK4)	H-L	2
105	RLR32C2201GR		.RESISTOR- (R1-R4)	H-L	4
110	JANTX1N5618		.DIODE- (CR1-CR6)	H-L	6
R 115	4443B9		.TERMINAL- (V88245) (T1-T16)	H-L	16
120	233T6200-196		.SUPPORT ASSY	H-L	1
125	BACR15CE5AD		..RIVET- (SIZE DETERMINE ON INST)	H-L	4
130	233T6200-195		..BRACKET-SUPPORT	H-L	2
135	233T6200-194		..BRACKET-SUPPORT	H-L	1

28-22-52

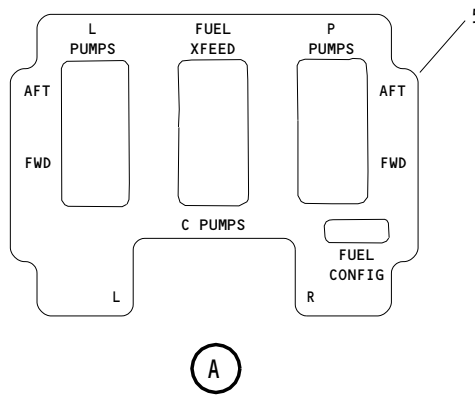
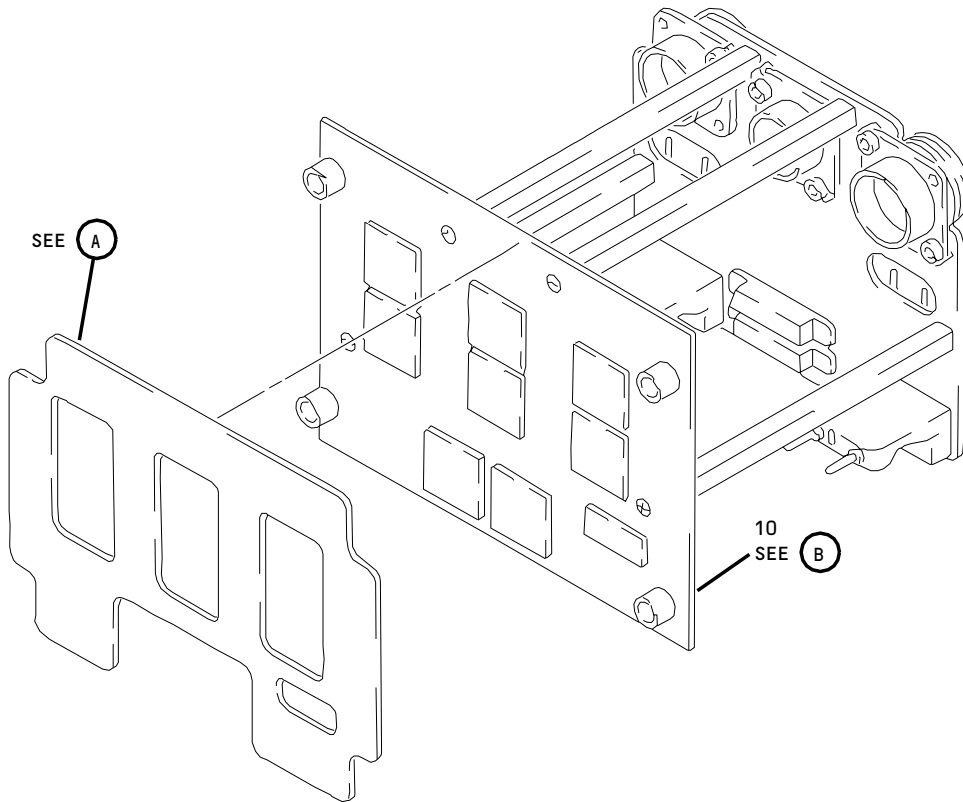
 ILLUSTRATED PARTS LIST  
 01.101 Page 1080  
 Jul 01/03


**BOEING**  
 COMPONENT  
 MAINTENANCE MANUAL

FIG. & ITEM	PART NO.	AIRLINE PART NUMBER	NOMENCLATURE 1234567	EFF CODE	QTY PER ASSY
03-					
140	233T3235-18		.BASEPLATE ASSY	H-L	1
145	PFSC35-38ASEMB		..STUD ASSY- (V72794) (SPEC BACS21DX1B)	H-L	4
150	SF6G6CBB5D		..NUT- (V12324)	H-L	4
155	BACP10U0412N		..BASEPLATE	H-L	1
-160	233T3235-19		.WIRE BUNDLE ASSY	H,J	1
-160A	233T3235-22		.WIRE BUNDLE ASSY	K,L	1
-165	M39029-1-16-20		..CONTACT	H,J	89
-165A	M39029-1-16-20		..CONTACT	K,L	90

28-22-52

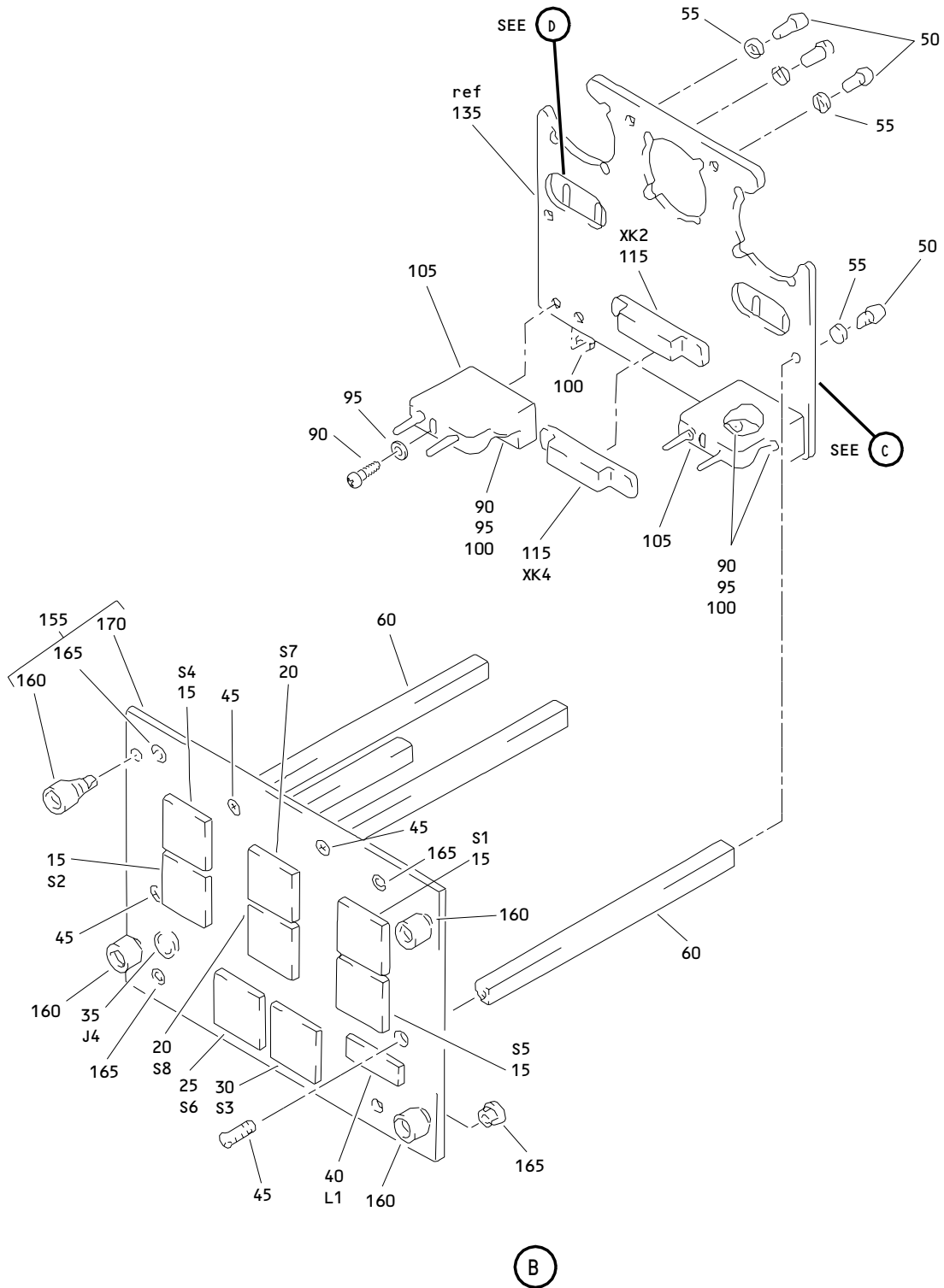
 ILLUSTRATED PARTS LIST  
 01.101 Page 1080A  
 Jul 01/03



M1005 Fuel Control Panel Assembly  
 Figure 4 (Sheet 1)

**28-22-52**

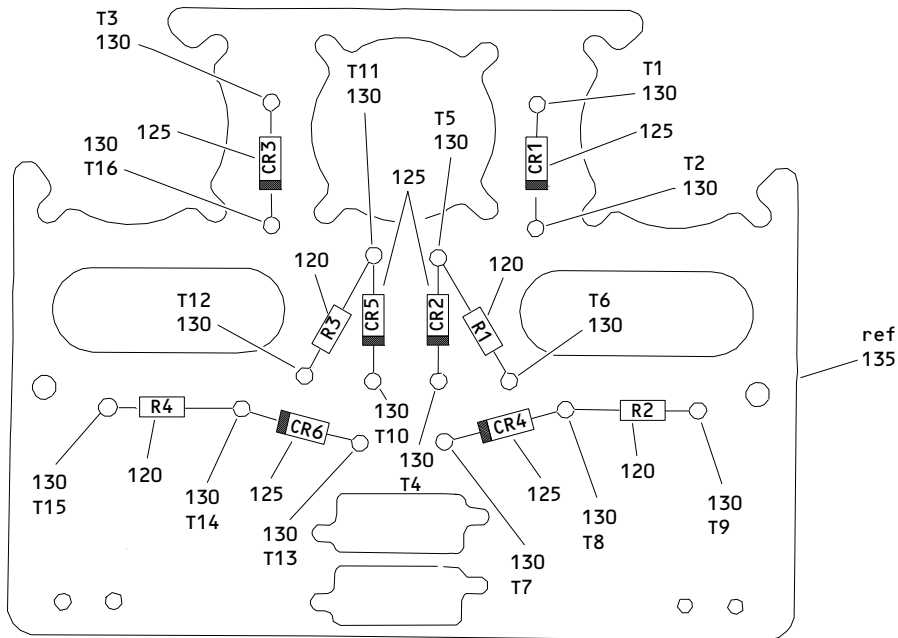
ILLUSTRATED PARTS LIST  
 01.101 Page 1080B  
 Jul 01/03



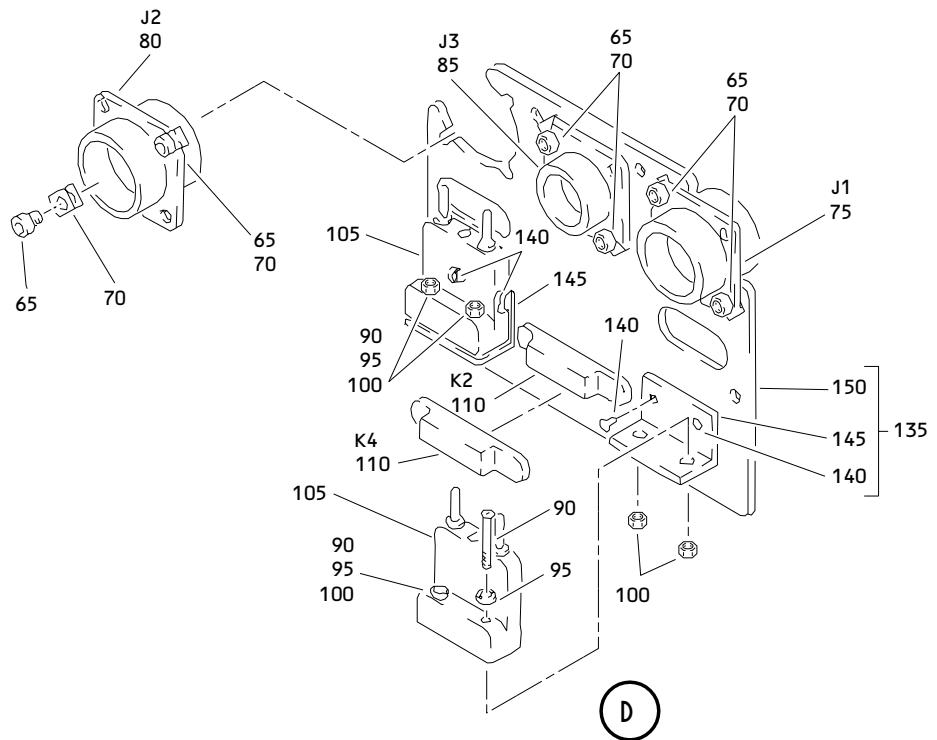
M10055 Fuel Control Panel Assembly  
Figure 4 (Sheet 2)

**28-22-52**

ILLUSTRATED PARTS LIST  
01.101 Page 1080C  
Jul 01/03



(C)



(D)

M10055 Fuel Control Panel Assembly  
 Figure 4 (Sheet 3)

**28-22-52**

ILLUSTRATED PARTS LIST  
 01.101 Page 1080D  
 Jul 01/03




**BOEING**  
 COMPONENT  
 MAINTENANCE MANUAL

FIG. & ITEM	PART NO.	AIRLINE PART NUMBER	NOMENCLATURE 1234567	EFF CODE	QTY PER ASSY
R 04-					
R -1A	233T3235-300		PANEL ASSY-M10055 FUEL CONT	M	RF
R -1B	233T3235-301		PANEL ASSY-M10055 FUEL CONT	N	RF
R 5	S233T100-1106		.LIGHTPLATE- (V51896) (SPEC S233T100-1106)	M,N	1
R 10	233T3235-21		.PANEL ASSY	M	1
R -10A	233T3235-23		.PANEL ASSY	N	1
R 15	BCREFA0511		..SWITCH-LIGHTED PUSHBUTTON IND (ON/PRESS) (V81590) (433-673-1004-4026) (S1, S2, S4, S5) (SPEC S231T290-4026) (OPT ITEM 15A)	M	4
R -15A	851-35100-5026		..SWITCH-LIGHTED PUSHBUTTON IND (ON/PRESS) (V96182) (S1, S2, S4, S5) (SPEC S231T290-5026) (OPT ITEM 15)	M	4
R -15B	BCREFA0511		..SWITCH-LIGHTED PUSHBUTTON IND (ON/PRESS) (V81590) (433-673-1004-4026) (S1, S2, S4, S5) (SPEC S231T290-4026)	N	4
R 20	BCREFA0517		..SWITCH-LIGHTED PUSHBUTTON IND (VALVE) (V81590) (433-673-1004-4038) (S7, S8) (SPEC S231T290-4038) (OPT ITEM 20A)	M	2
R -20A	851-35100-5038		..SWITCH-LIGHTED PUSHBUTTON IND (VALVE) (V96182) (S7, S8) (SPEC S231T290-5038) (OPT ITEM 20)	M	2
R -20B	BCREFA0517		..SWITCH-LIGHTED PUSHBUTTON IND (VALVE) (V81590) (433-673-1004-4038) (S7, S8) (SPEC S231T290-4038)	N	2

28-22-52

 ILLUSTRATED PARTS LIST  
 01.101 Page 1080E  
 Jul 01/03

FIG. & ITEM	PART NO.	AIRLINE PART NUMBER	NOMENCLATURE 1234567	EFF CODE	QTY PER ASSY
R 04-25	BCREFA0508		..SWITCH-LIGHTED PUSHBUTTON IND (ON/PRESS) (V81590) (433-673-1004-4021) (S6) (SPEC S231T290-4021) (OPT ITEM 25A)	M	1
R -25A	851-35100-5021		..SWITCH-LIGHTED PUSHBUTTON IND (ON/PRESS) (V96182) (S6) (SPEC S231T290-5021) (OPT ITEM 25)	M	1
R -25B	BCREFA0508		..SWITCH-LIGHTED PUSHBUTTON IND (ON/PRESS) (V81590) (433-673-1004-4021) (S6) (SPEC S231T290-4021)	N	1
R 30	BCREFA0509		..SWITCH-LIGHTED PUSHBUTTON IND (ON/PRESS) (V81590) (433-673-1004-4022) (S3) (SPEC S231T290-4022) (OPT ITEM 30A)	M	1
R -30A	851-35100-5022		..SWITCH-LIGHTED PUSHBUTTON IND (ON/PRESS) (V96182) (S3) (SPEC S231T290-5022) (OPT ITEM 30)	M	1
R -30B	BCREFA0509		..SWITCH-LIGHTED PUSHBUTTON IND (ON/PRESS) (V81590) (433-673-1004-4022) (S3) (SPEC S231T290-4022)	N	1

28-22-52

 ILLUSTRATED PARTS LIST  
 01.101 Page 1080F  
 Jul 01/03


**BOEING**  
 COMPONENT  
 MAINTENANCE MANUAL

FIG. & ITEM	PART NO.	AIRLINE PART NUMBER	NOMENCLATURE 1234567	EFF CODE	QTY PER ASSY
R 04-35	800000121-1		..CONNECTOR- (V05617) (J4)	M,N	1
R 40	BCREF8595		..LIGHT ASSY-UNBALANCED IND (V81590) (434-674-1031-2293) (L1) (SPEC S231T300-2293)	M,N	1
R 45	NAS514P632-5P		..SCREW	M,N	4
R 50	NAS1801-06-5		..SCREW	M,N	4
R 55	MS35338-41		..WASHER	M,N	4
R 60	69B46200-11		..STANDOFF	M,N	4
R 65	NAS1801-04-5		..SCREW	M,N	6
R 70	K19798-04		..NUT- (V15653) (SPEC BACN10NW1) (OPT RMA4812-160-40 (V72962)) (OPT 293162 (V60119))	M,N	6
R 75	BACC45FN18-31P7		..CONNECTOR- (J1)	M,N	1
R 80	BACC45FN18-31P8		..CONNECTOR- (J2)	M,N	1
R 85	BACC45FN16-24P7		..CONNECTOR- (J3)	M,N	1
R 90	NAS1801-06-14		..SCREW	M,N	8
R 95	NAS620-6L		..WASHER	M,N	8
R 100	H10-06BAC		..NUT- (V15653) (SPEC BACN10JC06) (OPT RMLH9075-62W (V72962)) (OPT T6S632J (V11815)) (OPT VN303A62 (V92215)) (OPT 96-62 (V80539)) (OPT BRH10A06 (V52828)) (OPT NS202101-62 (V80539))	M,N	8

28-22-52

 ILLUSTRATED PARTS LIST  
 01.101 Page 1080G  
 Jul 01/03

FIG. & ITEM	PART NO.	AIRLINE PART NUMBER	NOMENCLATURE 1234567	EFF CODE	QTY PER ASSY
R 04-105	10167-1002BT		..TIMER- (V08719) (OPT ITEMS 105A,105B, 150C) (K5-K8)	M,N	4
-105A	TD1982-1002BT		..TIMER- (V58657) (OPT ITEMS 105,105B, 150C) (K5-K8)	M,N	4
-105B	530750-1002		..TIMER- (V08719) (OPT ITEMS 105,105A, 150C) (K5-K8)	M,N	4
-105C	TD1982-1002BT		..TIMER- (V58657) (OPT ITEMS 105,105A, 150B) (K5-K8)	M,N	4
R 110	HFW1204K01		..RELAY- (V71482) (SPEC BACR13CD2) (OPT BR16S233 (V09026)) (OPT EE4AA005 (V35344)) (OPT 3SAV1338A2 (V01526)) (OPT HFW1206K03 (V58614)) (K2, K4)	M,N	2
R 115	BACS16AG1		..SOCKET- (XK2, XK4)	M,N	2
R 120	RLR32C2201GR		..RESISTOR- (R1-R4)	M,N	4
R 125	JANTX1N5618		..DIODE- (CR1-CR6)	M,N	6
R 130	4443B9		..TERMINAL- (V88245) (T1-T16)	M,N	16
R 135	233T6200-196		..SUPPORT ASSY	M,N	1
R 140	BACR15CE5AD		...RIVET- (SIZE DETERMINE ON INST)	M,N	4

28-22-52

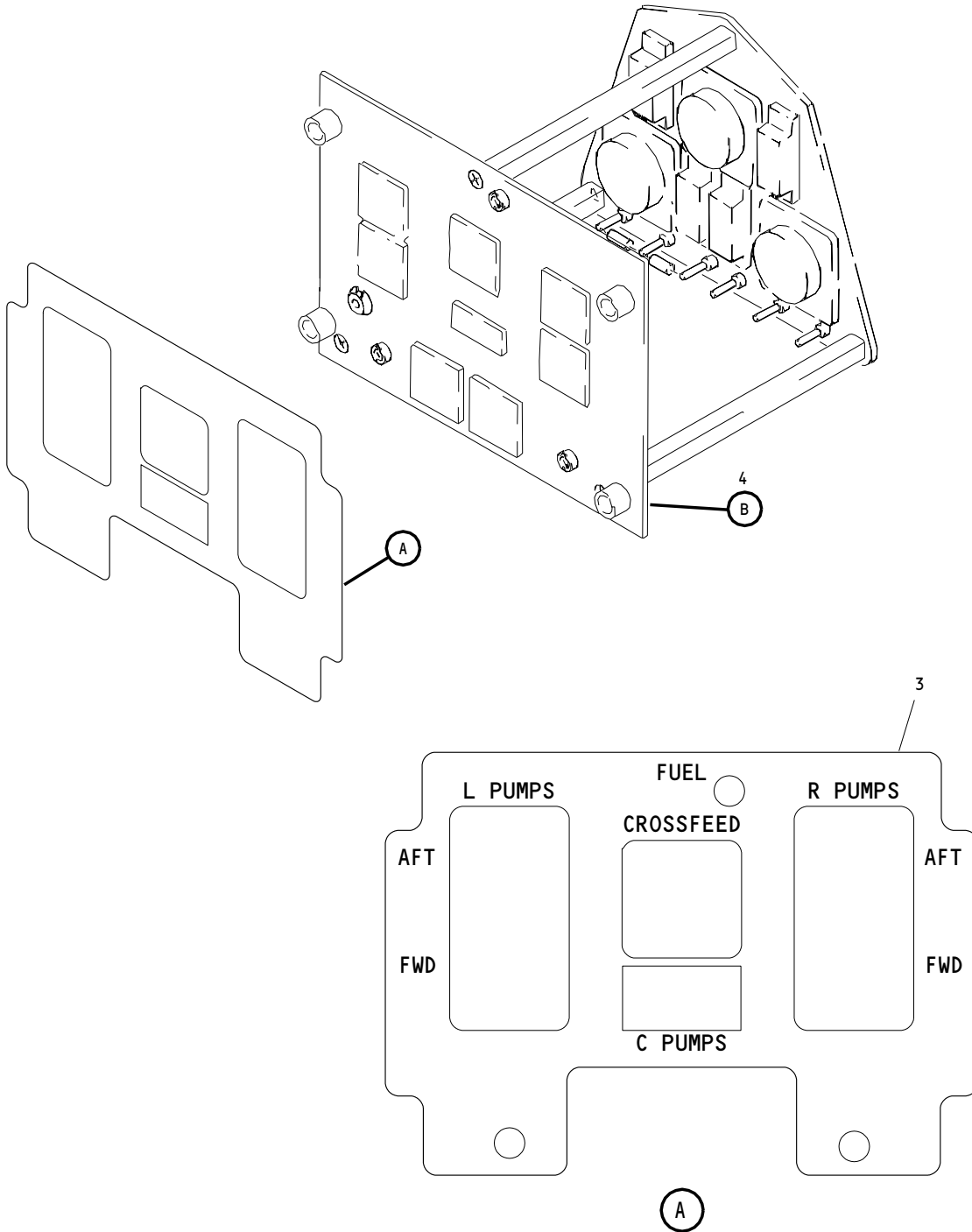
 ILLUSTRATED PARTS LIST  
 01.101 Page 1080H  
 Jul 01/03


**BOEING**  
 COMPONENT  
 MAINTENANCE MANUAL

FIG. & ITEM	PART NO.	AIRLINE PART NUMBER	NOMENCLATURE 1234567	EFF CODE	QTY PER ASSY
R 04-145	233T6200-195		...BRACKET-SUPPORT	M,N	2
R 150	233T6200-194		...BRACKET-SUPPORT	M,N	1
R 155	233T3235-18		..BASEPLATE ASSY	M,N	1
R 160	PFSC35-38ASEMB		...STUD ASSY- (V72794) (SPEC BACS21DX1B)	M,N	4
R 165	SF6G6CBB5D		...NUT- (V12324)	M,N	4
R 170	BACP10U0412N		...BASEPLATE	M,N	1
R -175	233T3235-22		..WIRE BUNDLE ASSY	M,N	1
R -180	M39029-1-16-20		...CONTACT	M,N	90

28-22-52

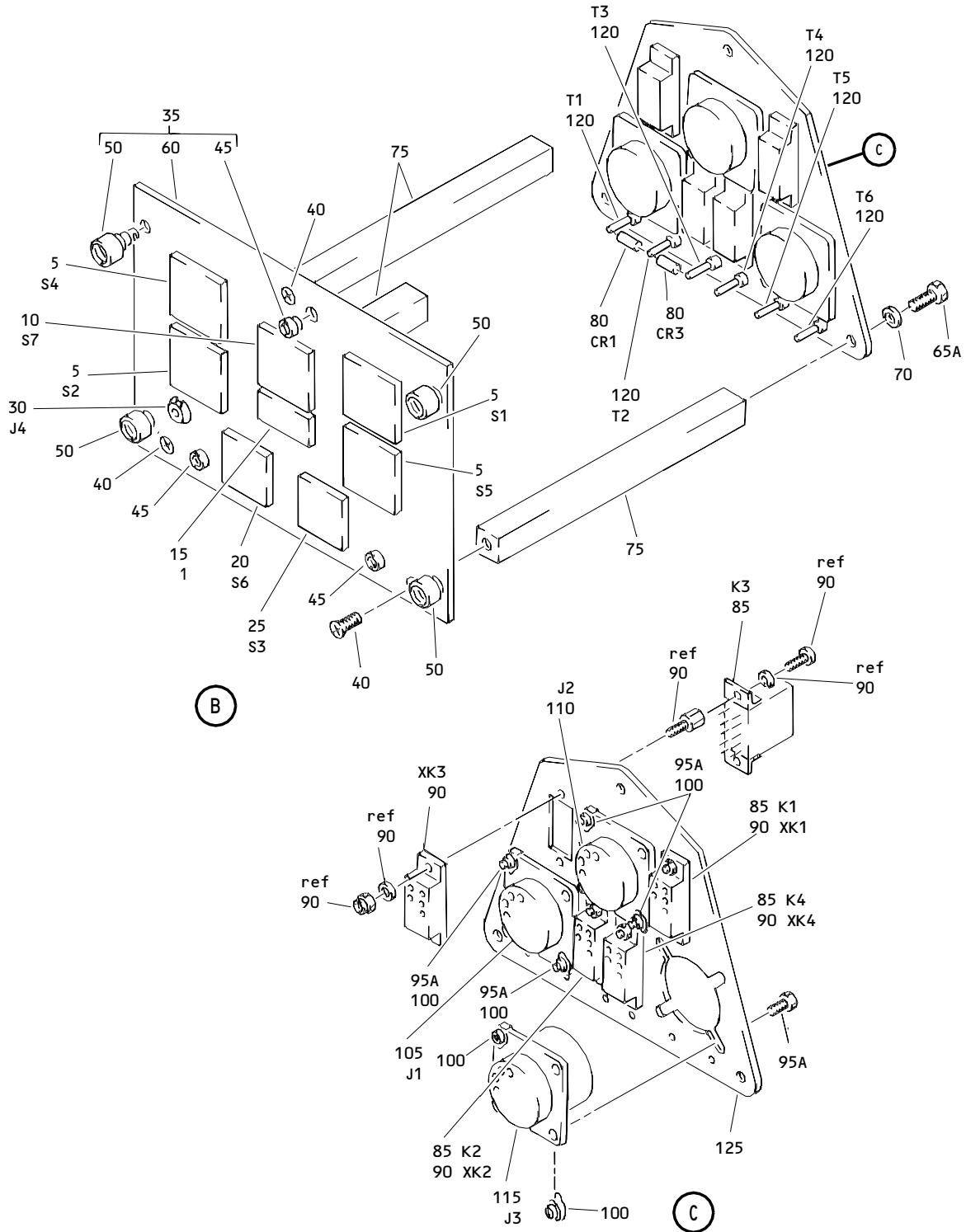
 ILLUSTRATED PARTS LIST  
 01.101 Page 1080I  
 Jul 01/03



Fuel Control Panel Assembly, M10055  
Figure 5 (Sheet 1)

**28-22-52**

ILLUSTRATED PARTS LIST  
01.1 Page 1080K  
Jul 01/03



Fuel Control Panel Assembly, M10055  
Figure 5 (Sheet 2)

**28-22-52**

ILLUSTRATED PARTS LIST  
01.1 Page 1080L  
Jul 01/03


**BOEING**  
 COMPONENT  
 MAINTENANCE MANUAL

FIG. & ITEM	PART NO.	AIRLINE PART NUMBER	NOMENCLATURE 1234567	EFF CODE	QTY PER ASSY
05- -1	233T3100-87		PANEL ASSY-M10055 FUEL CONT (PRE CSB 233T3235-28-05R1)	W	RF
-1A	233T3235-1300		PANEL ASSY-M10055 FUEL CONT (POST SB 233T3235-28-05R1)	AK	RF
3	S233T100-1060		.LIGHTPLATE (V51896) (OPT ITEM 3A)	W,AK	1
-3A	S233T100-6043		.LIGHTPLATE (V51896) (OPT ITEM 3)	W,AK	1
4	233T3235-5		.PANEL ASSY-M10055 FUEL CONT	W	1
-4A	233T3235-1005		.PANEL ASSY-M10055 FUEL CONT	AK	1
5	851-30768-2026		..SWITCH-LIGHTED PUSHBUTTON IND (ON/PRESS) (V96182) (S1,S2,S4,S5) (SPEC S231T290-2026) (OPT ITEMS 5B,5D)		4
-5A -5B	851-30768-1026 BCREFA0511		DELETED ..SWITCH-LIGHTED PUSHBUTTON IND (ON/PRESS) (V81590) (433-673-1004-4026) (S1,S2,S4,S5) (SPEC S231T290-4026) (OPT ITEMS 5,5D)		4

28-22-52

 ILLUSTRATED PARTS LIST  
 01.1 Page 1080M  
 Jul 01/03



FIG. & ITEM	PART NO.	AIRLINE PART NUMBER	NOMENCLATURE 1234567	EFF CODE	QTY PER ASSY
05- -5C -5D	S231T290-5026 851-35100-5026		DELETED ..SWITCH-LIGHTED PUSHBUTTON IND (ON/PRESS) (V96182) (S1,S2,S4,S5) (SPEC S231T290-5026) (OPT ITEMS 5,5B)		4
10	851-30768-2038		..SWITCH-LIGHTED PUSHBUTTON W IND (VALVE) (V96182) (S7) (SPEC S231T290-2038) (OPT ITEMS 10B, 10D)		1
-10A -10B	851-30768-1038 BCREFA0517		DELETED ..SWITCH-LIGHTED PUSHBUTTON W IND (VALVE) (V81590) (433-673-1004-4038) (S7) (SPEC S231T290-4038) (OPT ITEMS 10, 10D)		1
-10C -10D	S231T290-5038 851-35100-5038		DELETED ..SWITCH-LIGHTED PUSHBUTTON W IND (VALVE) (V96182) (S7) (SPEC S231T290-5038) (OPT ITEMS 10, 10B)		1

28-22-52

 ILLUSTRATED PARTS LIST  
 01.1 Page 1080N  
 Jul 01/03


**BOEING**  
 COMPONENT  
 MAINTENANCE MANUAL

FIG. & ITEM	PART NO.	AIRLINE PART NUMBER	NOMENCLATURE 1234567	EFF CODE	QTY PER ASSY
05- -10E	BCREF7617		..SWITCH-LIGHTED PUSHBUTTON IND (V81590) (433-673-1001-1038) (S7) (SPEC S231T290-1038) (USE WITH CONFIGURATION "D" MASTER MODULE. SEE REPAIR FOR ADDITIONAL INFORMATION) (OPT ITEMS 10F,10G,10H, 10J)	AK	1
-10F	851-30768-2038		..SWITCH-LIGHTED PUSHBUTTON IND (V96182) (S7) (SPEC S231T290-2038) (OPT ITEMS 10E,10H,10J)	AK	1
-10G	851-30768-3078		..SWITCH-LIGHTED PUSHBUTTON IND (V91682) (S7) (SPEC S231T290-3038) (OPT ITEMS 10E,10F,10H, 10J)	AK	1
-10H	BCREFA0517		..SWITCH-LIGHTED PUSHBUTTON IND (V85910) (433-673-1004-4038) (S7) (USE WITH CONFIGURATION "D" MASTER MODULE. SEE REPAIR FOR ADDITIONAL INFORMATION) (OPT ITEMS 10E,10F,10G, 10J)	AK	1

28-22-52

 ILLUSTRATED PARTS LIST  
 01.1 Page 10800  
 Jul 01/03



COMPONENT  
MAINTENANCE MANUAL

FIG. & ITEM	PART NO.	AIRLINE PART NUMBER	NOMENCLATURE	EFF CODE	QTY PER ASSY
			1234567		
05- -10J	851-35100-5038		..SWITCH-LIGHTED PUSHBUTTON IND (V91682) (S7) (SPEC S231T290-5038) (OPT ITEMS 10E,10F,10G, 10H)	AK	1
15	BCREF6367		..LIGHT ASSY-UNBALANCED IND (V81590) (434-674-1005-1293) (L1) (SPEC S231T300-1293) (OPT ITEM 15A)		1
-15A	BCREF8595		..LIGHT ASSY-UNBALANCED IND (V81590) (434-674-1031-2293) (L1) (SPEC S231T300-2293) (OPT ITEM 15)		1
20	851-30768-2021		..SWITCH-LIGHTED PUSHBUTTON IND (ON/PRESS) (V96182) (S6) (SPEC S231T290-2021) (OPT ITEMS 20B, 20D)		1
-20A -20B	851-30768-1021 BCREFA0508		DELETED ..SWITCH-LIGHTED PUSHBUTTON IND (ON/PRESS) (V81590) (433-673-1004-4021) (S6) (SPEC S231T290-4021) (OPT ITEMS 20, 20D)		1

28-22-52

**BOEING**  
 COMPONENT  
 MAINTENANCE MANUAL

FIG. & ITEM	PART NO.	AIRLINE PART NUMBER	NOMENCLATURE 1234567	EFF CODE	QTY PER ASSY
05- -20C -20D	S231T290-5021 851-35100-5021		DELETED ..SWITCH-LIGHTED PUSHBUTTON IND (ON/PRESS) (V96182) (S6) (SPEC S231T290-5021) (OPT ITEMS 20, 20B)		1
25	851-30768-2022		..SWITCH-LIGHTED PUSHBUTTON IND (PRESS/ON) (V96182) (S3) (SPEC S231T290-2022) (OPT ITEMS 25B, 25D)		1
-25A -25B	851-30768-1022 BCREFA0509		DELETED ..SWITCH-LIGHTED PUSHBUTTON IND (ON/PRESS) (V81590) (433-673-1004-4022) (S3) (SPEC S231T290-4022) (OPT ITEMS 25, 25D)		1
-25C -25D	S231T290-5022 851-35100-5022		DELETED ..SWITCH-LIGHTED PUSHBUTTON IND (ON/PRESS) (V96182) (S3) (SPEC S231T290-5022) (OPT ITEMS 25, 25B)		1
30	800000121-1		..CONNECTOR (V05617) (J4)		1
35	233T3235-6		..BASEPLATE ASSY ATTACHING PARTS		1
40	NAS514P632-5		..SCREW -----*-----		3
45	SF6G6CBB5D		...NUT (V12324) (SPEC BACN10PA06-6)		3
50	DBMB1400-6A1		...STUD ASSY (V08524) (SPEC BACS21DD1B)		4
60 65	BACP10U0412N BACS12CB06-5		...BASEPLATE DELETED		1

**28-22-52**

ILLUSTRATED PARTS LIST  
 01.1 Page 1080Q  
 Jul 01/03

FIG. & ITEM	PART NO.	AIRLINE PART NUMBER	NOMENCLATURE 1234567	EFF CODE	QTY PER ASSY
05-					
65A	NAS1801-06-5		..SCREW		3
70	MS35338-41		..WASHER		3
75	69B46200-11		..STANDOFF		3
80	JANTX1N5618		..DIODE (CR1, CR3)		2
85	HFW1204K01		..RELAY (V71482) (SPEC BACR13CD2) (OPT BR16S233 (V09026)) (OPT EE4AA005 (V35344)) (OPT 3SAV1338A2 (V01526)) (OPT HFW1206K03 (V58614)) (K1-K4)		4
90	HRTS17KM		..SOCKET (V91663) (XK1-XK4)		4
95	BACS12CB04-5		DELETED		
95A	NAS1801-04-5		..SCREW		6
100	K19798-04		..NUT (V15653) (SPEC BACN10NW1) (OPT RMA4812-160-40 (V72962)) (OPT 293162 (V60119))		6

28-22-52

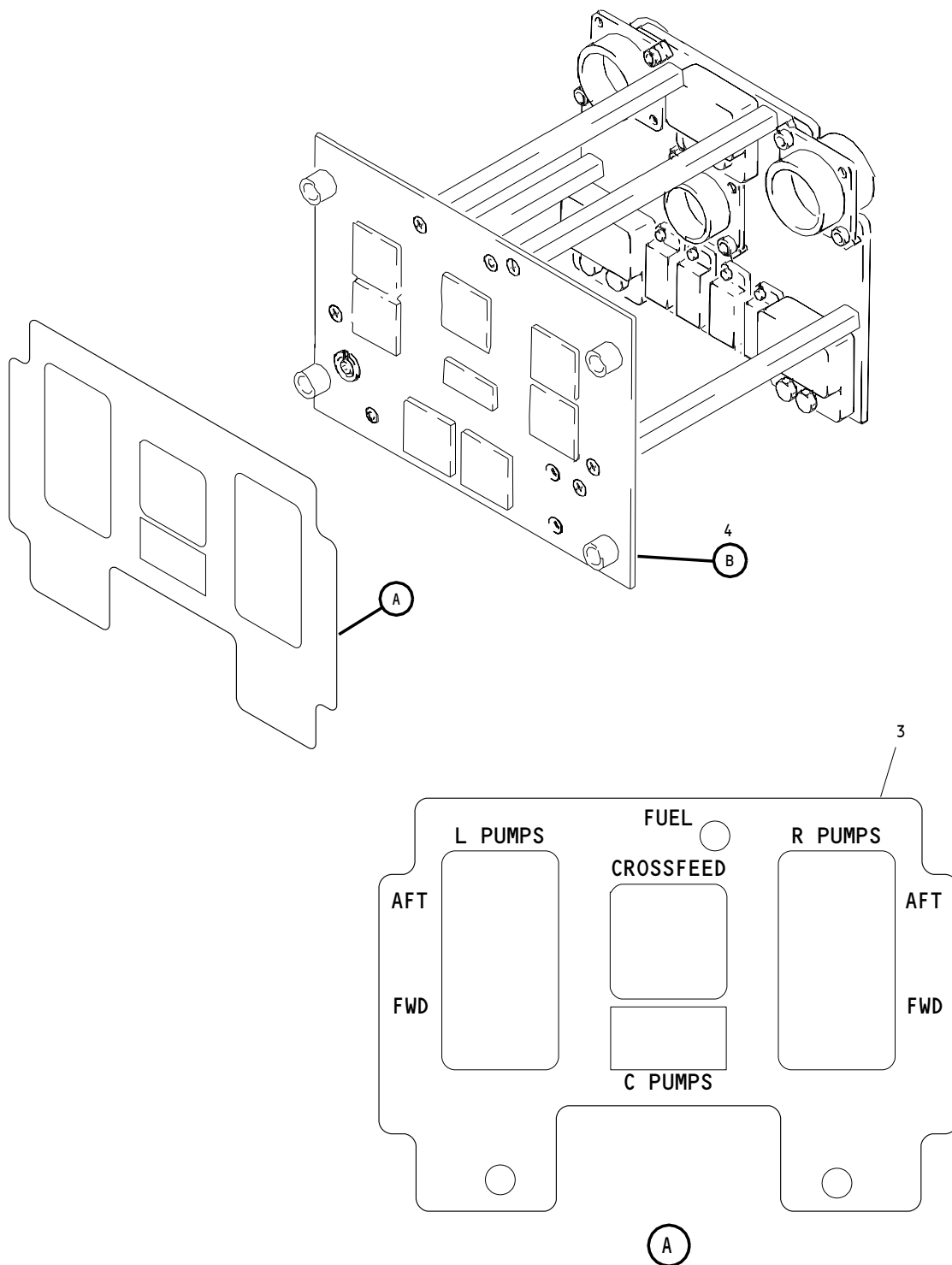
 ILLUSTRATED PARTS LIST  
 01.1 Page 1080R  
 Jul 01/03


**BOEING**  
 COMPONENT  
 MAINTENANCE MANUAL

FIG. & ITEM	PART NO.	AIRLINE PART NUMBER	NOMENCLATURE 1234567	EFF CODE	QTY PER ASSY
05-105	BACC45FN18-31P7		..CONNECTOR (J1)		1
110	BACC45FN18-31P8		..CONNECTOR (J2)		1
115	BACC45FN16-24P7		..CONNECTOR (J3)		1
120	4443B9		..TERMINAL (V88245) (T1-T6)		6
125	233T6200-76		..BRACKET-SPRT		1
-130	233T3235-3		..WIRE BUNDLE ASSY		1
-135	M39029-1-16-20		...CONTACT		85

28-22-52

 ILLUSTRATED PARTS LIST  
 01.1 Page 1080S  
 Jul 01/03



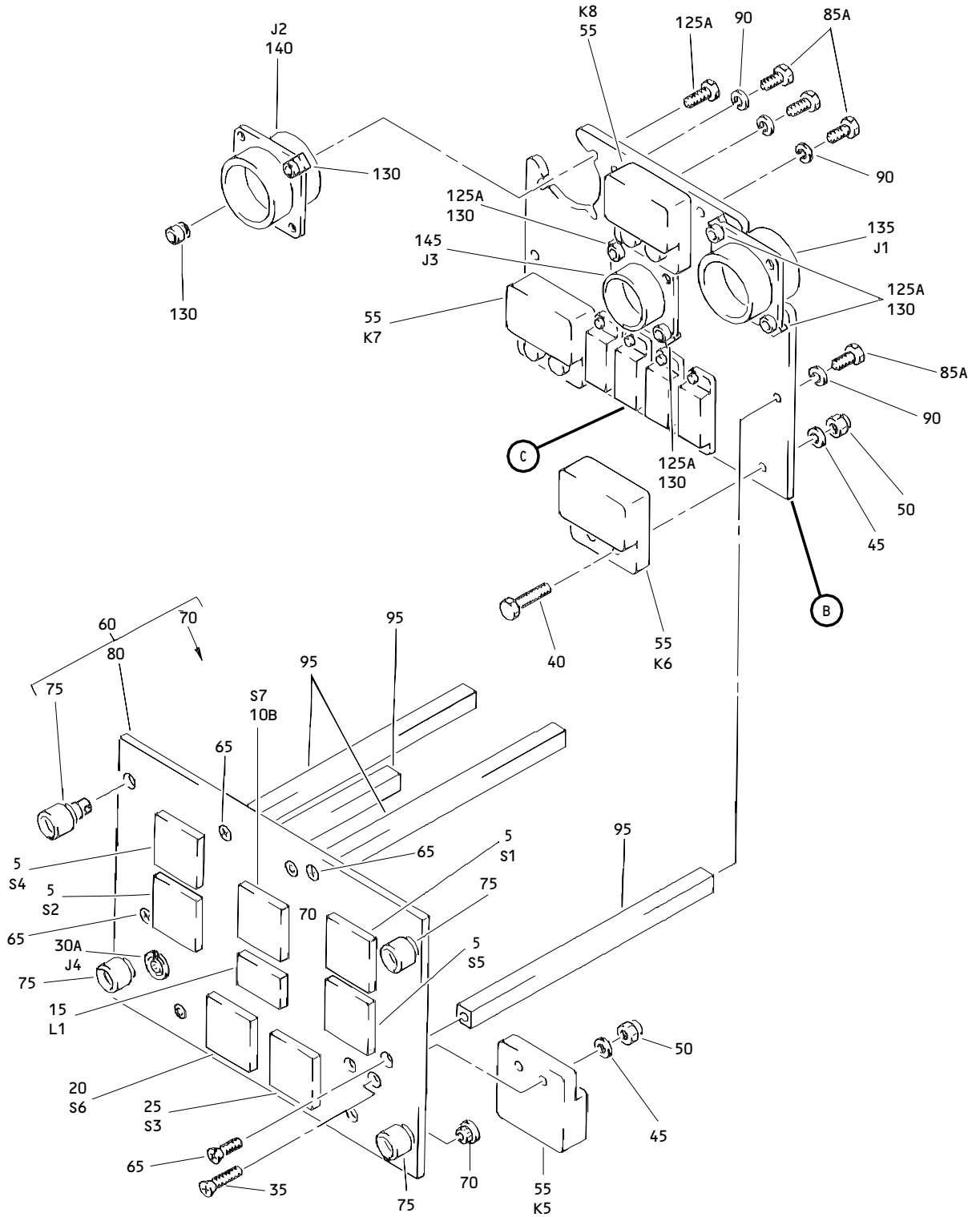
Fuel Control Panel Assembly, M10055  
 Figure 6 (Sheet 1)

**28-22-52**

ILLUSTRATED PARTS LIST  
 01.1 Page 1080T  
 Jul 01/03

# BOEING

COMPONENT  
MAINTENANCE MANUAL

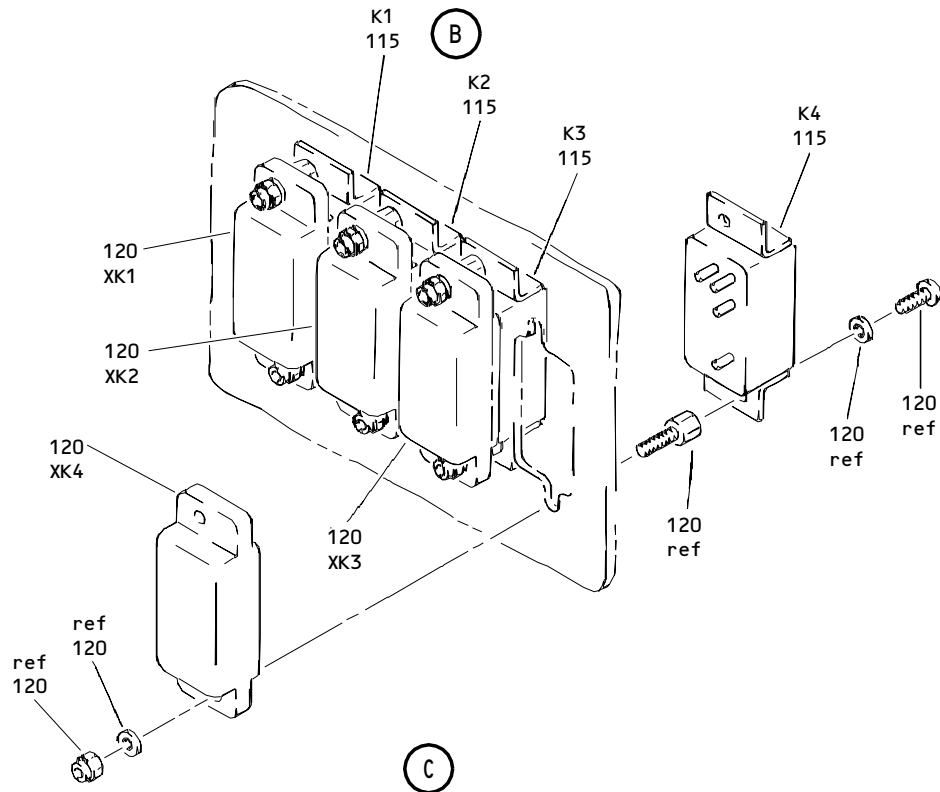
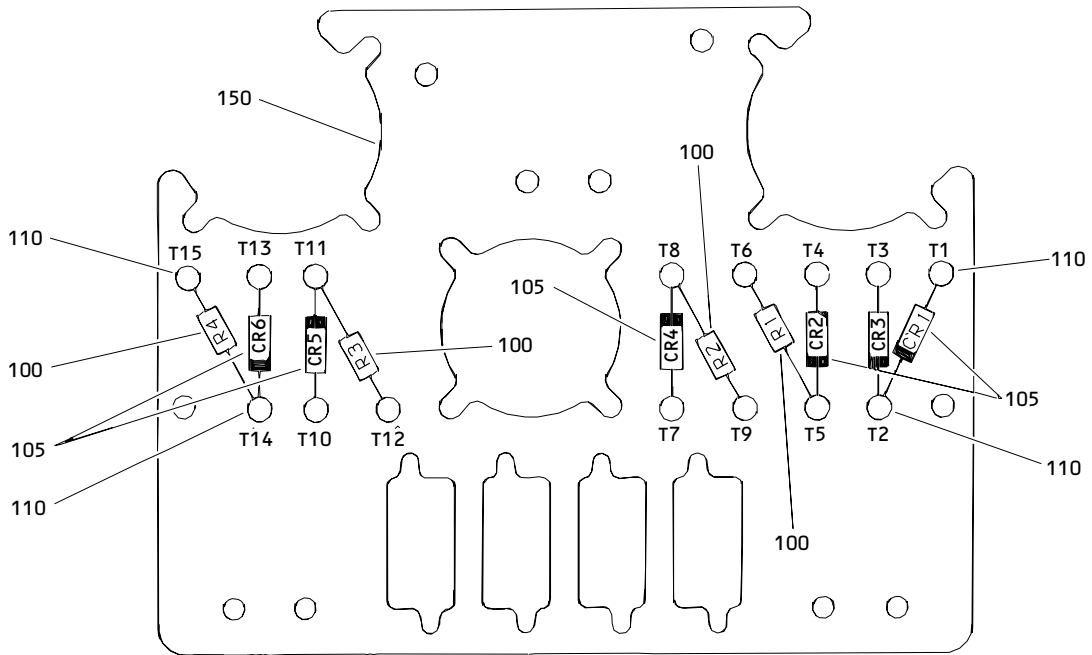


Fuel Control Panel Assembly, M10055  
Figure 6 (Sheet 2)

28-22-52

ILLUSTRATED PARTS LIST  
01.1 Page 1080U  
Jul 01/03





Fuel Control Panel Assembly, M10055  
 Figure 6 (Sheet 3)

**28-22-52**

ILLUSTRATED PARTS LIST  
 01.1 Page 1080V  
 Jul 01/03


**BOEING**  
 COMPONENT  
 MAINTENANCE MANUAL

FIG. & ITEM	PART NO.	AIRLINE PART NUMBER	NOMENCLATURE 1234567	EFF CODE	QTY PER ASSY
06- -1	233T3100-148		PANEL ASSY-M10055 FUEL CONT (PRE CSB 233T3235-28-05R1)	X	RF
-1A	233T3100-189		PANEL ASSY-M10055 FUEL CONT (PRE CSB 233T3235-28-05R1)	Y	RF
-1B	233T3100-251		PANEL ASSY-M10055 FUEL CONT (PRE CSB 233T3235-28-05R1)	Z	RF
-1C	233T3100-277		PANEL ASSY-M10055 FUEL CONT (PRE CSB 233T3235-28-05R1)	AA	RF
-1D	233T3100-293		PANEL ASSY-M10055 FUEL CONT (PRE CSB 233T3235-28-05R1)	AB	RF
-1E	233T3235-1301		PANEL ASSY-M10055 FUEL CONT (POST CSB 233T3235-28-05R1)	AC	RF
-1F	233T3235-1302		PANEL ASSY-M10055 FUEL CONT (POST CSB 233T3235-28-05R1)	AD	RF
-1G	233T3235-1303		PANEL ASSY-M10055 FUEL CONT (POST CSB 233T3235-28-05R1)	AE	RF
-1H	233T3235-1304		PANEL ASSY-M10055 FUEL CONT (POST CSB 233T3235-28-05R1)	AF	RF
-1J	233T3235-1305		PANEL ASSY-M10055 FUEL CONT (POST CSB 233T3235-28-05R1)	AG	RF
-1K	233T3235-1306		PANEL ASSY-M10055 FUEL CONT (POST CSB 233T3235-28-05R1)	AH	RF
-1L	233T3235-1307		PANEL ASSY-M10055 FUEL CONT (POST CSB 233T3235-28-05R1)	AJ	RF

# 28-22-52

 ILLUSTRATED PARTS LIST  
 01.1 Page 1080W  
 Jul 01/03

FIG. & ITEM	PART NO.	AIRLINE PART NUMBER	NOMENCLATURE 1234567	EFF CODE	QTY PER ASSY
06-3	S233T100-1060		.LIGHTPLATE (V51896) (OPT ITEM 3A)	X,Y, AC,AD AH,AJ	1
3A	S233T100-6043		.LIGHTPLATE (V51896) (OPT ITEM 3)	X,Y, AC,AD AH,AJ	1
3B	S233T100-6043		.LIGHTPLATE (V51896)	Z,AA, AB,AE AF,AG	1
4	233T3235-7		.PANEL ASSY (LIMITED)	X	1
-4A	233T3235-10		.PANEL ASSY	Y	1
-4B	233T3235-11		.PANEL ASSY (LIMITED)	X	1
-4C	233T3235-12		.PANEL ASSY (LIMITED)	X	1
-4D	233T3235-12		.PANEL ASSY	Z	1
-4E	233T3235-13		.PANEL ASSY	AB	1
-4F	233T3235-15		.PANEL ASSY	AA	1
-4G	233T3235-1007		.PANEL ASSY	AC	1
-4H	233T3235-1010		.PANEL ASSY	AD	1
-4J	233T3235-1011		.PANEL ASSY	AH	1
-4K	233T3235-1012		.PANEL ASSY	AE,AJ	1
-4L	233T3235-1013		.PANEL ASSY	AF	1
-4M	233T3235-1015		.PANEL ASSY	AG	1
5	851-30768-2026		..SWITCH-LIGHTED PUSHBUTTON IND (ON/PRESS) (V96182) (S1, S2, S4, S5) (SPEC S231T290-2026) (LIMITED)	X	4

28-22-52

ILLUSTRATED PARTS LIST

01.1 Page 1080X

Jul 01/03


**BOEING**  
 COMPONENT  
 MAINTENANCE MANUAL

FIG. & ITEM	PART NO.	AIRLINE PART NUMBER	NOMENCLATURE 1234567	EFF CODE	QTY PER ASSY
06- -5A	851-30768-2026		..SWITCH-LIGHTED PUSHBUTTON IND (ON/PRESS) (V96182) (S1, S2, S4, S5) (SPEC S231T290-2026)	AH	4
-5B	851-30768-3026		..SWITCH-LIGHTED PUSHBUTTON IND (ON/PRESS) (V96182) (S1, S2, S4, S5) (SPEC S231T290-3026) (LIMITED) (OPT ITEMS 5C, 5L, 5R)	X	4
-5C	BCREF7612		..SWITCH-LIGHTED PUSHBUTTON IND (ON/PRESS) (V81590) (S1, S2, S4, S5) (433-673-1001-1026) (SPEC S231T290-1026) (LIMITED) (OPT ITEMS 5B, 5L, 5R)	X	4
-5D	S231T290-4026		DELETED		
-5E	BCREF7612		..SWITCH-LIGHTED PUSHBUTTON IND (ON/PRESS) (V81590) (433-673-1001-1026) (S1, S2, S4, S5) (SPEC S231T290-1026) (LIMITED) (OPT ITEMS 5F, 5G, 5N, 5S)	X	4

28-22-52

 ILLUSTRATED PARTS LIST  
 01.1 Page 1080Y  
 Jul 01/03

FIG. & ITEM	PART NO.	AIRLINE PART NUMBER	NOMENCLATURE 1234567	EFF CODE	QTY PER ASSY
06- -5F	851-30768-2026		..SWITCH-LIGHTED PUSHBUTTON IND (ON/PRESS) (V96182) (S1, S2, S4, S5) (SPEC S231T290-2026) (LIMITED) (OPT ITEMS 5E,5G,5N,5S)	X	4
-5G	851-30768-3026		..SWITCH-LIGHTED PUSHBUTTON IND (ON/PRESS) (V96182) (S1, S2, S4, S5) (SPEC S231T290-3026) (OPT ITEMS 5E,5F,5N,5S) (LIMITED)	X	4
-5H	BCREFA0511		..SWITCH-LIGHTED PUSHBUTTON IND (ON/PRESS) (V81590) (433-673-1004-4026) (S1, S2, S4, S5) (SPEC S231T290-4026) (OPT ITEM 5Q)	AA,AG	4
-5J	BCREFA0511		..SWITCH-LIGHTED PUSHBUTTON IND (ON/PRESS) (V81590) (433-673-1004-4026) (S1, S2, S4, S5) (SPEC S231T290-4026)	AB,AF	4
-5K -5L	S231T290-5026 BCREFA0511		DELETED ..SWITCH-LIGHTED PUSHBUTTON IND (ON/PRESS) (V81590) (433-673-1004-4026) (S1, S2, S4, S5) (SPEC S231T290-4026) (LIMITED) (OPT ITEMS 5B, 5C, 5R)	X	4

28-22-52

 ILLUSTRATED PARTS LIST  
 01.1 Page 1080Z  
 Jul 01/03


**BOEING**  
 COMPONENT  
 MAINTENANCE MANUAL

FIG. & ITEM	PART NO.	AIRLINE PART NUMBER	NOMENCLATURE 1234567	EFF CODE	QTY PER ASSY
06- -5M -5N	S231T290-5026 BCREFA0511		DELETED ..SWITCH-LIGHTED PUSHBUTTON X IND (ON/PRESS) (V81590) (433-673-1004-4026) (S1, S2, S4, S5) (SPEC S231T290-4026) (LIMITED) (OPT ITEMS 5E,5F,5G,5S)		4
-5P -5Q	S231T290-5026 851-35100-5026		DELETED ..SWITCH-LIGHTED PUSHBUTTON AA,AG IND (ON/PRESS) (V96182) (S1, S2, S4, S5) (SPEC S231T290-5026) (OPT ITEM 5H)		4
-5R	851-35100-5026		..SWITCH-LIGHTED PUSHBUTTON X IND (ON/PRESS) (V96182) (S1, S2, S4, S5) (SPEC S231T290-5026) (LIMITED) (OPT ITEMS 5B, 5C, 5L)		4
-5S	851-35100-5026		..SWITCH-LIGHTED PUSHBUTTON X IND (ON/PRESS) (V96182) (S1, S2, S4, S5) (SPEC S231T290-5026) (LIMITED) (OPT ITEMS 5E,5F,5G,5S)		4

28-22-52

 ILLUSTRATED PARTS LIST  
 01.1 Page 1081  
 Jul 01/03

**COMPONENT  
MAINTENANCE MANUAL**

FIG. & ITEM	PART NO.	AIRLINE PART NUMBER	NOMENCLATURE 1234567	EFF CODE	QTY PER ASSY
06- -5T	851-30768-3026		..SWITCH-LIGHTED PUSHBUTTON IND (ON/PRESS) (V96182) (S1, S2, S4, S5) (SPEC S231T290-3026) (OPT ITEMS 5U,5V,5W)	Y,Z, AD,AE AJ	4
-5U	BCREF7612		..SWITCH-LIGHTED PUSHBUTTON IND (ON/PRESS) (V81590) (S1, S2, S4, S5) (433-673-1001-1026) (SPEC S231T290-1026) (OPT ITEMS 5T,5V,5W)		4
-5V	BCREFA0511		..SWITCH-LIGHTED PUSHBUTTON IND (ON/PRESS) (V81590) (433-673-1004-4026) (S1, S2, S4, S5) (SPEC S231T290-4026) (OPT ITEMS 5T,5U,5W)		4
-5W	851-35100-5026		..SWITCH-LIGHTED PUSHBUTTON IND (ON/PRESS) (V96182) (S1, S2, S4, S5) (SPEC S231T290-5026) (OPT ITEMS 5T,5U,5V)		4
-6	BCREF7612		..SWITCH-LIGHTED PUSHBUTTON IND (ON/PRESS) (V81590) (433-673-1001-1026) (S1, S2, S4, S5) (SPEC S231T290-1026) (OPT ITEMS 6A,6B,6C,6D)	AC	4
-6A	851-30768-2026		..SWITCH-LIGHTED PUSHBUTTON IND (ON/PRESS) (V96182) (S1, S2, S4, S5) (SPEC S231T290-2026) (OPT ITEMS 6,6B,6C,6D)	AC	4
-6B	851-30768-3026		..SWITCH-LIGHTED PUSHBUTTON IND (ON/PRESS) (V96182) (S1, S2, S4, S5) (SPEC S231T290-3026) (OPT ITEMS 6,6A,6C,6D)	AC	4

# 28-22-52

ILLUSTRATED PARTS LIST

01.1

Page 1082

Jul 01/03


**BOEING**  
 COMPONENT  
 MAINTENANCE MANUAL

FIG. & ITEM	PART NO.	AIRLINE PART NUMBER	NOMENCLATURE 1234567	EFF CODE	QTY PER ASSY
06- -6C	BCREFA0511		..SWITCH-LIGHTED PUSHBUTTON IND (ON/PRESS) (V81590) (433-673-1004-4026) (S1, S2, S4, S5) (SPEC S231T290-4026) (OPT ITEMS 6,6A,6B,6D)	AC	4
-6D	851-35100-5026		..SWITCH-LIGHTED PUSHBUTTON IND (ON/PRESS) (V96182) (S1, S2, S4, S5) (SPEC S231T290-5026) (OPT ITEMS 6,6A,6B,6C)	AC	4
10	851-30768-2038		DELETED		
-10A	851-30768-1038		DELETED		
10B	851-30768-3038		..SWITCH-LIGHTED PUSHBUTTON IND (VALVE) (V96182) (S7) (SPEC S231T290-3038) (LIMITED) (OPT ITEMS 10C,10L,10R)	X	1
-10C	BCREF7617		..SWITCH-LIGHTED PUSHBUTTON IND (VALVE) (V81590) (S7) (433-673-1001-1038) (SPEC S231T290-1038) (LIMITED) (OPT ITEMS 10B,10L,10R)	X	1

28-22-52

 ILLUSTRATED PARTS LIST  
 01.1 Page 1082A  
 Jul 01/03



**COMPONENT  
MAINTENANCE MANUAL**

FIG. & ITEM	PART NO.	AIRLINE PART NUMBER	NOMENCLATURE 1234567	EFF CODE	QTY PER ASSY
06- -10D -10E	S231T290-4038 BCREF7617		DELETED ..SWITCH-LIGHTED PUSHBUTTON IND (VALVE) (V81590) (433-673-1001-1038) (S7) (SPEC S231T290-1038) (LIMITED) (OPT ITEMS 10F,10G,10N, 10S)	X	1
-10F	851-30768-2038		..SWITCH-LIGHTED PUSHBUTTON IND (VALVE) (V96182) (S7) (SPEC S231T290-2038) (LIMITED) (OPT ITEMS 10E,10G,10N, 10S)	X	1
-10G	851-30768-3038		..SWITCH-LIGHTED PUSHBUTTON IND (VALVE) (V96182) (S7) (SPEC S231T290-3038) (LIMITED) (OPT ITEMS 10E,10F,10N, 10S)	X	1
-10H	BCREFA0517		..SWITCH-LIGHTED PUSHBUTTON IND (VALVE) (V81590) (433-673-1004-4038) (S7) (SPEC S231T290-4038) (OPT ITEM 10Q)	AA	1

# 28-22-52

ILLUSTRATED PARTS LIST

01.1 Page 1082B

Jul 01/03


**BOEING**  
 COMPONENT  
 MAINTENANCE MANUAL

FIG. & ITEM	PART NO.	AIRLINE PART NUMBER	NOMENCLATURE 1234567	EFF CODE	QTY PER ASSY
06- -10J	BCREFA0517		..SWITCH-LIGHTED PUSHBUTTON IND (VALVE) (V81590) (433-673-1004-4038) (S7) (SPEC S231T290-4038)	AB	1
-10K -10L	S231T290-5038 BCREFA0517		DELETED ..SWITCH-LIGHTED PUSHBUTTON IND (ON/PRESS) (V81590) (433-673-1004-4038) (S7) (SPEC S231T290-4038) (LIMITED) (OPT ITEMS 10B,10C,10R)	X	1
-10M -10N	S231T290-5038 BCREFA0517		DELETED ..SWITCH-LIGHTED PUSHBUTTON IND (ON/PRESS) (V81590) (433-673-1004-4038) (S7) (SPEC S231T290-4038) (LIMITED) (OPT ITEMS 10E,10F,10G, 10S)	X	1
-10P -10Q	S231T290-5038 851-35100-5038		DELETED ..SWITCH-LIGHTED PUSHBUTTON IND (VALVE) (V96182) (S7) (SPEC S231T290-5038) (OPT ITEM 10H)	AA	1
-10R	851-35100-5038		..SWITCH-LIGHTED PUSHBUTTON IND (ON/PRESS) (V96182) (S7) (SPEC S231T290-5038) (LIMITED) (OPT ITEMS 10B,10C,10L)	X	1

28-22-52

 ILLUSTRATED PARTS LIST  
 01.1 Page 1082C  
 Jul 01/03

**COMPONENT  
MAINTENANCE MANUAL**

FIG. & ITEM	PART NO.	AIRLINE PART NUMBER	NOMENCLATURE 1234567	EFF CODE	QTY PER ASSY
06- -10S	851-35100-5038		..SWITCH-LIGHTED PUSHBUTTON IND (ON/PRESS) (V96182) (S7) (SPEC S231T290-5038) (LIMITED) (OPT ITEMS 10E,10F,10G, 10N)	X	1
-11	BCREF7617		..SWITCH-LIGHTED PUSHBUTTON IND (V81590) (433-673-1001-1038) (S7) (SPEC S231T290-1038) (USE WITH CONFIGURATION "D" MASTER MODULE. SEE REPAIR FOR ADDITIONAL INFORMATION) (OPT ITEMS 11A,11B)	AC	1
-11A	851-30768-2038		..SWITCH-LIGHTED PUSHBUTTON IND (V96182) (S7) (SPEC S231T290-2038) (OPT ITEMS 11,11B)	AC	1
-11B	851-30768-3038		..SWITCH-LIGHTED PUSHBUTTON IND (V96182) (S7) (SPEC S231T290-1038) (OPT ITEMS 11,11A)	AC	1
-11C	BCREF7617		..SWITCH-LIGHTED PUSHBUTTON IND (V81590) (433-673-1001-1038) (S7) (SPEC S231T290-1038) (USE WITH CONFIGURATION "D" MASTER MODULE. SEE REPAIR FOR ADDITIONAL INFORMATION) (OPT ITEMS 11D,11E,11F, 11G)	AD,AE AJ	1

# 28-22-52

ILLUSTRATED PARTS LIST

01.1 Page 1082D

Jul 01/03


**BOEING**  
 COMPONENT  
 MAINTENANCE MANUAL

FIG. & ITEM	PART NO.	AIRLINE PART NUMBER	NOMENCLATURE 1234567	EFF CODE	QTY PER ASSY
06- -11D	851-30768-2038		..SWITCH-LIGHTED PUSHBUTTON IND (V96182) (S7) (SPEC S231T290-2038) (OPT ITEMS 11C,11E,11F, 11G)	AD,AE AJ	1
-11E	851-30768-3038		..SWITCH-LIGHTED PUSHBUTTON IND (V96182) (S7) (SPEC S231T290-3038) (OPT ITEM 5D) (OPT ITEMS 11C,11D,11F, 11G)	AD,AE AJ	1
-11F	BCREFA0517		..SWITCH-LIGHTED PUSHBUTTON IND (V81590) (433-673-1004-4038) (S7) (SPEC S231T290-4038) (USE WITH CONFIGURATION "D" MASTER MODULE. SEE REPAIR FOR ADDITIONAL INFORMATION) (OPT ITEMS 11C,11D,11E, 11G)	AD,AE AJ	1
-11G	851-35100-5038		..SWITCH-LIGHTED PUSHBUTTON IND (V96182) (S7) (SPEC S231T290-5038) (OPT ITEMS 11C,11D,11E, 11F)	AD,AE AJ	1
-11H	BCREF7617		..SWITCH-LIGHTED PUSHBUTTON IND (V81590) (433-673-1001-1038) (S7) (SPEC S231T290-1038) (USE WITH CONFIGURATION "D" MASTER MODULE. SEE REPAIR FOR ADDITIONAL INFORMATION)	AH	1

28-22-52

 ILLUSTRATED PARTS LIST  
 01.1 Page 1082E  
 Jul 01/03

FIG. & ITEM	PART NO.	AIRLINE PART NUMBER	NOMENCLATURE 1234567	EFF CODE	QTY PER ASSY
06- -11J	851-30768-3038		..SWITCH-LIGHTED PUSHBUTTON IND (V96182) (S7) (SPEC S231T290-3038) (OPT ITEM 11H)	AH	1
-11K	BCREFA0517		..SWITCH-LIGHTED PUSHBUTTON IND (V81590) (433-673-1004-4038) (S7) (SPEC S231T290-4038) (USE WITH CONFIGURATION "D" MASTER MODULE. SEE REPAIR FOR ADDITIONAL INFORMATION)	AF	1
-11L	BCREFA0517		..SWITCH-LIGHTED PUSHBUTTON IND (V81590) (433-673-1004-4038) (S7) (SPEC S231T290-4038) (USE WITH CONFIGURATION "D" MASTER MODULE. SEE REPAIR FOR ADDITIONAL INFORMATION) (OPT ITEM 11M)	AG	1
-11M	851-35100-5038		..SWITCH-LIGHTED PUSHBUTTON IND (V96182) (S7) (SPEC S231T290-5038) (OPT ITEM 11L)	AG	1

# 28-22-52

 ILLUSTRATED PARTS LIST  
 01.1 Page 1082F  
 Jul 01/03


**BOEING**  
 COMPONENT  
 MAINTENANCE MANUAL

FIG. & ITEM	PART NO.	AIRLINE PART NUMBER	NOMENCLATURE 1234567	EFF CODE	QTY PER ASSY
06- -11N	851-30768-3038		..SWITCH-LIGHTED PUSHBUTTON IND (VALVE) (V96182) (S7) (SPEC S231T290-3038) (OPT ITEMS 11P,11Q,11R)	Y,Z	1
-11P	BCREF7617		..SWITCH-LIGHTED PUSHBUTTON IND (VALVE) (V81590) (S7) (433-673-1001-1038) (SPEC S231T290-1038) (OPT ITEMS 11N,11Q,11R)	Y,Z	1
-11Q	BCREFA0517		..SWITCH-LIGHTED PUSHBUTTON IND (ON/PRESS) (V81590) (433-673-1004-4038) (S7) (SPEC S231T290-4038) (OPT ITEMS 11N,11P,11R)	Y,Z	1
-11R	851-35100-5038		..SWITCH-LIGHTED PUSHBUTTON IND (ON/PRESS) (V96182) (S7) (SPEC S231T290-5038) (OPT ITEMS 11N,11P,11Q)	Y,Z	1
15	BCREF6367		..LIGHT ASSY-UNBALANCED IND (V81590) (434-674-1005-1293) (L1) (SPEC S231T300-1293) (OPT ITEM 15A)		1

28-22-52

 ILLUSTRATED PARTS LIST  
 01.1 Page 1082G  
 Jul 01/03

FIG. & ITEM	PART NO.	AIRLINE PART NUMBER	NOMENCLATURE 1234567	EFF CODE	QTY PER ASSY
06- -15A	BCREF8595		..LIGHT ASSY-UNBALANCED IND (V81590) (434-674-1031-2293) (L1) (SPEC S231T300-2293) (OPT ITEM 15)		1
20	851-30768-2021		..SWITCH-LIGHTED PUSHBUTTON X IND (ON/PRESS) (V96182) (S6) (SPEC S231T290-2021) (LIMITED)		1
-20A	851-30768-2021		..SWITCH-LIGHTED PUSHBUTTON AH IND (ON/PRESS) (V96182) (S6) (SPEC S231T290-2021) (LIMITED)		1
-20B	851-30768-3021		..SWITCH-LIGHTED PUSHBUTTON X IND (ON/PRESS) (V96182) (S6) (SPEC S231T290-3021) (LIMITED) (OPT ITEMS 20C,20L,20R)		1
-20C	BCREF7609		..SWITCH-LIGHTED PUSHBUTTON X IND (ON/PRESS) (V81590) (S6) (433-673-1001-1021) (SPEC S231T290-1021) (LIMITED) (OPT ITEMS 20B,20L,20R)		1

28-22-52

 ILLUSTRATED PARTS LIST  
 01.1 Page 1082H  
 Jul 01/03


**BOEING**  
 COMPONENT  
 MAINTENANCE MANUAL

FIG. & ITEM	PART NO.	AIRLINE PART NUMBER	NOMENCLATURE 1234567	EFF CODE	QTY PER ASSY
06- -20D -20E	S231T290-4021 BCREF7609		DELETED ..SWITCH-LIGHTED PUSHBUTTON X IND (ON/PRESS) (V81590) (433-673-1001-1021) (S6) (SPEC S231T290-1021) (LIMITED) (OPT ITEMS 20F, 20G, 20N, 20S)		1
-20F	851-30768-2021		..SWITCH-LIGHTED PUSHBUTTON X IND (ON/PRESS) (V96182) (S6) (SPEC S231T290-2021) (LIMITED) (OPT ITEMS 20E, 20G, 20N, 20S)		1
-20G	851-30768-3021		..SWITCH-LIGHTED PUSHBUTTON X IND (ON/PRESS) (V96182) (S6) (SPEC S231T290-3021) (LIMITED) (OPT ITEMS 20E, 20F, 20N, 20S)		1
-20H	BCREFA0508		..SWITCH-LIGHTED PUSHBUTTON X IND (ON/PRESS) (V81590) (433-673-1004-4021) (S6) (SPEC S231T290-4021) (OPT ITEM 20Q)	AA,AG	1

28-22-52

 ILLUSTRATED PARTS LIST  
 01.1 Page 1082I  
 Jul 01/03



FIG. & ITEM	PART NO.	AIRLINE PART NUMBER	NOMENCLATURE 1234567	EFF CODE	QTY PER ASSY
06- -20J	BCREFA0508		..SWITCH-LIGHTED PUSHBUTTON IND (ON/PRESS) (V81590) (433-673-1004-4021) (S6) (SPEC S231T290-4021)	AB,AF	1
-20K -20L	S231T290-5021 BCREFA0508		DELETED ..SWITCH-LIGHTED PUSHBUTTON IND (ON/PRESS) (V81590) (433-673-1004-4021) (S6) (SPEC S231T290-4021) (LIMITED) (OPT ITEMS 20B,20C,20R)	X	1
-20M -20N	S231T290-5021 BCREFA0508		DELETED ..SWITCH-LIGHTED PUSHBUTTON IND (ON/PRESS) (V81590) (433-673-1004-4021) (S6) (SPEC S231T290-4021) (LIMITED) (OPT ITEMS 20E, 20F, 20G, 20S)	X	1
-20P -20Q	S231T290-5021 851-35100-5021		DELETED ..SWITCH-LIGHTED PUSHBUTTON IND (ON/PRESS) (V96182) (S6) (SPEC S231T290-5021) (OPT ITEM 20H)	AA,AG	1

28-22-52

 ILLUSTRATED PARTS LIST  
 01.1 Page 1082J  
 Jul 01/03



**BOEING**  
 COMPONENT  
 MAINTENANCE MANUAL

FIG. & ITEM	PART NO.	AIRLINE PART NUMBER	NOMENCLATURE 1234567	EFF CODE	QTY PER ASSY
06- -20R	851-35100-5021		..SWITCH-LIGHTED PUSHBUTTON IND (ON/PRESS) (V96182) (S6) (SPEC S231T290-5021) (LIMITED) (OPT ITEMS 20B,20C,20L)	X	1
-20S	851-35100-5021		..SWITCH-LIGHTED PUSHBUTTON IND (ON/PRESS) (V96182) (S6) (SPEC S231T290-5021) (LIMITED) (OPT ITEMS 20E,20F,20G, 20N)	X	1
-20T	851-30768-3021		..SWITCH-LIGHTED PUSHBUTTON IND (ON/PRESS) (V96182) (S6) (SPEC S231T290-3021) (OPT ITEMS 20U,20V,20W)	Y,Z, AD,AE AJ	1
-20U	BCREF7609		..SWITCH-LIGHTED PUSHBUTTON IND (ON/PRESS) (V81590) (S6) (433-673-1001-1021) (SPEC S231T290-1021) (OPT ITEMS 20T,20V,20W)	Y,Z, AD,AE AJ	1
-20V	BCREFA0508		..SWITCH-LIGHTED PUSHBUTTON IND (ON/PRESS) (V81590) (S6) (433-673-1001-1021) (SPEC S231T290-1021) (OPT ITEMS 20T,20U,20W)	Y,Z, AD,AE AJ	1

**28-22-52**

ILLUSTRATED PARTS LIST  
 01.1 Page 1082K  
 Jul 01/03

**COMPONENT  
MAINTENANCE MANUAL**

FIG. & ITEM	PART NO.	AIRLINE PART NUMBER	NOMENCLATURE 1234567	EFF CODE	QTY PER ASSY
06- -20W	851-35100-5021		..SWITCH-LIGHTED PUSHBUTTON IND (ON/PRESS) (V96182) (S6) (SPEC S231T290-5021) (OPT ITEMS 20T,20U,20V)	Y,Z, AD,AE AJ	1
-21	BCREF7609		..SWITCH-LIGHTED PUSHBUTTON IND (ON/PRESS) (V81590) (433-673-1001-1021) (S6) (SPEC S231T290-1021) (OPT ITEMS 21A,21B,21C, 21D)	AC	1
-21A	851-30768-2021		..SWITCH-LIGHTED PUSHBUTTON IND (ON/PRESS) (V96182) (S6) (SPEC S231T290-2021) (OPT ITEMS 21,21A,21C, 21D)	AC	1
-21B	851-30768-3021		..SWITCH-LIGHTED PUSHBUTTON IND (ON/PRESS) (V96182) (S6) (SPEC S231T290-3021) (OPT ITEMS 21,21A,21C, 21D)	AC	1
-21C	BCREFA0508		..SWITCH-LIGHTED PUSHBUTTON IND (ON/PRESS) (V81590) (433-673-1004-4021) (S6) (SPEC S231T290-4021) (OPT ITEMS 21,21A,21B, 21D)	AC	1
-21D	851-35100-5021		..SWITCH-LIGHTED PUSHBUTTON IND (ON/PRESS) (V96182) (S6) (SPEC S231T290-5021) (LIMITED) (OPT ITEMS 21,21A,21B, 21C)	AC	1

# 28-22-52

ILLUSTRATED PARTS LIST

01.1 Page 1082L

Jul 01/03


**BOEING**  
 COMPONENT  
 MAINTENANCE MANUAL

FIG. & ITEM	PART NO.	AIRLINE PART NUMBER	NOMENCLATURE 1234567	EFF CODE	QTY PER ASSY
06-25	851-30768-2022		..SWITCH-LIGHTED PUSHBUTTON IND (ON/PRESS) (V96182) (S3) (SPEC S231T290-2022) (LIMITED)	X	1
-25A	851-30768-2022		.,SWITCH-LIGHTED PUSHBUTTON IND (ON/PRESS) (V96182) (S3) (SPEC S231T290-2022) (LIMITED)	AH	1
-25B	851-30768-3022		..SWITCH-LIGHTED PUSHBUTTON IND (ON/PRESS) (V96182) (S3) (SPEC S231T290-3022) (LIMITED) (OPT ITEMS 25C,25L,25R)	X	1
-25C	BCREF7610		..SWITCH-LIGHTED PUSHBUTTON IND (ON/PRESS) (V81590) (S3) (433-673-1001-1022) (SPEC S231T290-1022) (LIMITED) (OPT ITEMS 25B,25L,25R)	X	1
-25D	S231T290-4022		DELETED		
-25E	BCREF7610		..SWITCH-LIGHTED PUSHBUTTON IND (ON/PRESS) (V81590) (S3) (433-673-1001-1022) (SPEC S231T290-1022) (LIMITED) (OPT ITEMS 25F,25G)	X	1

28-22-52

 ILLUSTRATED PARTS LIST  
 01.1 Page 1082M  
 Jul 01/03

FIG. & ITEM	PART NO.	AIRLINE PART NUMBER	NOMENCLATURE 1234567	EFF CODE	QTY PER ASSY
06- -25F	851-30768-2022		..SWITCH-LIGHTED PUSHBUTTON IND (ON/PRESS) (V96182) (S3) (SPEC S231T290-2022) (LIMITED) (OPT ITEMS 25E,25G)	X	1
-25G	851-30768-3022		..SWITCH-LIGHTED PUSHBUTTON IND (ON/PRESS) (V96182) (S3) (SPEC S231T290-3022) (LIMITED) (OPT ITEMS 25E,25F)	X	1
-25H	BCREFA0509		..SWITCH-LIGHTED PUSHBUTTON IND (ON/PRESS) (V81590) (433-673-1004-4022) (S3) (SPEC S231T290-4022) (OPT ITEM 25Q)	AA,AG	1
-25J	BCREFA0509		..SWITCH-LIGHTED PUSHBUTTON IND (ON/PRESS) (V81590) (433-673-1004-4022) (S3) (SPEC S231T290-4022)	AB,AF	1
-25K -25L	S231T290-5022 BCREFA0509		DELETED ..SWITCH-LIGHTED PUSHBUTTON IND (ON/PRESS) (V81590) (433-673-1004-4022) (S3) (SPEC S231T290-4022) (LIMITED) (OPT ITEMS 25B,25C,25R)	X	1

28-22-52


**BOEING**  
 COMPONENT  
 MAINTENANCE MANUAL

FIG. & ITEM	PART NO.	AIRLINE PART NUMBER	NOMENCLATURE 1234567	EFF CODE	QTY PER ASSY
06- -25M -25N	S231T290-5022 BCREFA0509		DELETED ..SWITCH-LIGHTED PUSHBUTTON X IND (ON/PRESS) (V81590) (433-673-1004-4022) (S3) (SPEC S231T290-4022) (LIMITED) (OPT ITEMS 25E,25F,25G, 25S)		1
-25P -25Q	S231T290-5022 851-35100-5022		DELETED ..SWITCH-LIGHTED PUSHBUTTON AA,AG IND (ON/PRESS) (V96182) (S3) (SPEC S231T290-5022) (OPT ITEM 25H)		1
-25R	851-35100-5022		..SWITCH-LIGHTED PUSHBUTTON X IND (ON/PRESS) (V96182) (S3) (SPEC S231T290-5022) (LIMITED) (OPT ITEMS 25B,25C,25L)		1
-25S	851-35100-5022		..SWITCH-LIGHTED PUSHBUTTON X IND (ON/PRESS) (V96182) (S3) (SPEC S231T290-5022) (LIMITED) (OPT ITEMS 25E, 25F, 25G, 25N)		1

28-22-52

 ILLUSTRATED PARTS LIST  
 01.1 Page 10820  
 Jul 01/03

**COMPONENT  
MAINTENANCE MANUAL**

FIG. & ITEM	PART NO.	AIRLINE PART NUMBER	NOMENCLATURE 1234567	EFF CODE	QTY PER ASSY
06- -25T	851-30768-3022		..SWITCH-LIGHTED PUSHBUTTON IND (ON/PRESS) (V96182) (S3) (SPEC S231T290-3022) (OPT ITEMS 25M,25V,25W)	Y,Z, AD,AE AJ	1
-25U	BCREF7610		..SWITCH-LIGHTED PUSHBUTTON IND (ON/PRESS) (V81590) (S3) (433-673-1001-1022) (SPEC S231T290-1022) (OPT ITEMS 25T,25V,25W)	Y,Z, AD,AE AJ	1
-25V	BCREFA0509		..SWITCH-LIGHTED PUSHBUTTON IND (ON/PRESS) (V81590) (433-673-1004-4022) (S3) (SPEC S231T290-4022) (OPT ITEMS 25T,25U,25W)	Y,Z, AD,AE AJ	1
-25W	851-35100-5022		..SWITCH-LIGHTED PUSHBUTTON IND (ON/PRESS) (V96182) (S3) (SPEC S231T290-5022) (OPT ITEMS 25T,25U,25V)	Y,Z, AD,AE AJ	1
-26	BCREF7610		..SWITCH-LIGHTED PUSHBUTTON IND (ON/PRESS) (V81590) (433-673-1001-1022) (S3) (SPEC S231T290-1022) (OPT ITEMS 26A,26B,26C, 26D)	AC	1
-26A	851-30768-2022		..SWITCH-LIGHTED PUSHBUTTON IND (ON/PRESS) (V96182) (S3) (SPEC S231T290-2022) (OPT ITEMS 26,26B,26C, 26D)	AC	1

# 28-22-52

ILLUSTRATED PARTS LIST

01.1 Page 1082P

Jul 01/03


**BOEING**  
 COMPONENT  
 MAINTENANCE MANUAL

FIG. & ITEM	PART NO.	AIRLINE PART NUMBER	NOMENCLATURE 1234567	EFF CODE	QTY PER ASSY
06- -26B	851-30768-3022		..SWITCH-LIGHTED PUSHBUTTON IND (ON/PRESS) (V96182) (S3) (SPEC S231T290-3022) (OPT ITEMS 26,26A,26C, 26D)	AC	1
-26C	BCREFA0509		..SWITCH-LIGHTED PUSHBUTTON IND (ON/PRESS) (V81590) (433-673-1004-4022) (S3) (SPEC S231T290-4022) (OPT ITEMS 26,26A,26B, 26D)	AC	1
-26D	851-35100-5022		..SWITCH-LIGHTED PUSHBUTTON IND (ON/PRESS) (V96182) (S3) (SPEC S231T290-5022) (OPT ITEMS 26,26A,26B, 26C)	AC	1
30 30A	800-000121-1 800000121-1		DELETED ..CONNECTOR (V05617) (J4)		1
35	NAS514P632-14		..SCREW		2
40	NAS1801-06-14		..SCREW		6
45	NAS620-6L		..WASHER		8
50	H10-06BAC		..NUT (V15653) (SPEC BACN10JC06) (OPT RMLH9075-62W (V72962)) (OPT T6S632J (V11815)) (OPT VN303A62 (V92215)) (OPT 96-62 (V80539)) (OPT BRH10A06 (OPT BRH10A06 (V52828))		8

28-22-52

 ILLUSTRATED PARTS LIST  
 01.1 Page 1082Q  
 Jul 01/03



FIG. & ITEM	PART NO.	AIRLINE PART NUMBER	NOMENCLATURE 1234567	EFF CODE	QTY PER ASSY
06-55	10167-10BT		..TIMER (V08719) (K5-K8) (OPT ITEM 55A)		4
-55A	10167-1002BT		..TIMER (V08719) (K5-K8) (OPT ITEM 55)		4
60	233T3235-8		..BASEPLATE ASSY ATTACHING PARTS		1
65	NAS514P632-5		..SCREW -----*-----		4
70	SF6G6CBB5D		...NUT (V12324) (SPEC BACN10PA06-6)		3
75	DBMB1400-6A1		...STUD ASSY (V08524) (SPEC BACS21DD1B)		4
80	BACP10U0412N		...BASEPLATE		1
85	BACS12CB06-5		DELETED		
85A	NAS1801-06-5		..SCREW		4
90	MS35338-41		..WASHER		4
95	69B46200-13		..STANDOFF (OPT ITEM 95A)		4
-95A	69B46200-11		..STANDOFF (OPT ITEM 95)		4
100	RLR32C2201GR		..RESISTOR-2.2K,2 PCT,1W (R1-R4)		4
105	JANTX1N5618		..DIODE (CR1-CR6)		6
110	4443B9		..TERMINAL (V88245) (T1-T15)		15

28-22-52

 ILLUSTRATED PARTS LIST  
 01.1 Page 1082R  
 Jul 01/03


**BOEING**  
 COMPONENT  
 MAINTENANCE MANUAL

FIG. & ITEM	PART NO.	AIRLINE PART NUMBER	NOMENCLATURE 1234567	EFF CODE	QTY PER ASSY
06-115	HFW1204K01		..RELAY (V71482) (SPEC BACR13CD2) (OPT BR16S233 (V09026)) (OPT EE4AA005 (V35344)) (OPT 3SAV1338A2 (V01526)) (OPT HFW1206K03 (V58614)) (K1-K4)		4
120	HRTS17KM		..SOCKET (V91663) (XK1-XK4)		4
125	BACS12CB04-5		DELETED		
125A	NAS1801-04-5		..SCREW		6
130	K19798-04		..NUT (V15653) (SPEC BACN10NW1) (OPT RMA4812-160-40 (V72962)) (OPT 293162 (V60119))		6
135	BACC45FN18-31P7		..CONNECTOR (J1)		1
140	BACC45FN18-31P8		..CONNECTOR (J2)		1
145	BACC45FN16-24P7		..CONNECTOR (J3)		1
150	233T6200-93		..BRACKET-SPRT (OPT ITEM 150A)		1
-150A	233T6200-92		..BRACKET-SPRT (OPT ITEM 150)		1
-155	233T6200-92		DELETED		
-160	233T3235-9		..WIRE BUNDLE ASSY		1
-165	M39029-1-16-20		...CONTACT		93

- Item Not Illustrated

# 28-22-52

ILLUSTRATED PARTS LIST  
 01.1 Page 1082S  
 Jul 01/03